

V5 | December 2019

THE COMPLETE
GUIDE TO **SELLING,**
SURVEYING & SPECIFYING
ULTRAROOF

DEAR TRADE PARTNER OR CONSERVATORY BUYER,

The Ultrarroof is pre-manufactured by Ultraframe to ensure consistent quality and a speedy installation with less waste.



Preferred

8 out of 10 homeowners prefer Ultrarroof

- **Full length glass** panels
- **No tie bar** - ever
- Internal pelmet and **external soffit for lighting**
- **Highly authentic tile** finish
- **Slimline** hips and ridge cappings
- 8 out of 10 homeowners would **choose to buy Ultrarroof** over leading competitors*



LIGHTEST

The lightest tiled roof on the market

- Weighs only 38kg/m² **lighter than any other solid tiled roof**
- Designed by **conservatory specialists**, Ultraframe to replace existing conservatory roofs
- Lightweight panels are cut to size and **easy to manoeuvre**



WARMEST

Unrivalled thermal performance

- A U-Value of **0.17**
- Option to reduce to 0.13 if required
- **Complete warm roof system**, with no cold bridging
- **Fully insulated** 380mm structural beam



FIRE TESTED

Independently and fully fire tested

- Components AND complete structure both **fully fire tested**
- **Fire test certificates** available online
- **Fire rated as B-roof** according to EN 13501-5: 2016
- **Fire rated as AC** according to BS476-3:2004



FASTEST

Faster to fit than any other solid roof

- Tiles supplied in panels of 12 tiles, **pre-cut to size**
- 100% pre-fabrication - **no cutting required**
- **No internal battening** required
- Expandable panel and wide beam to **accommodate tolerances on site**
- High quality, **practical technical support** as you need it



STRONGEST

No tie bar ever

- Superior strength for **larger designs** up to 6.7 by 5m
- 4M spans for **bi-folds without extra support**
- Highly configurable to **any shape and size**
- NASA satellite data used to **precision engineer every roof** for wind AND snow loads.

ULTRAROOF OVERVIEW

Product definition

Ultrarroof is a solid roof, perfect for the speedy replacement of tired conservatory roofs. It is a packaged solution, off site manufactured for rapid assembly and compliant with relevant Building Regulations. Ultrarroof is classed as a 'warm roof' and gives a vaulted/loft type ceiling. There are three major elements to Ultrarroof;

#1



INSULATED BEAMS

A patented box eaves beam, filled with mineral wool cavity insulation - that forms the soffit structure - approx 380mm front to back depth.

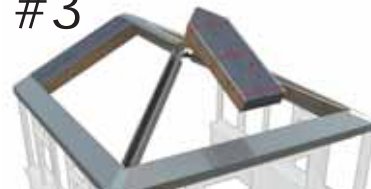
#2



ALUMINIUM FRAMEWORK

The hidden structural aluminium framework of ridges and hips are pre-manufactured and engineered for speed accuracy on site.

#3



STRUCTURAL ROOF PANELS

Mechanically fixed (Ultrapanel) Structural Insulated Roof Panels are attached to the box eaves and structural framework.

Tongue and grooved 12mm OSB is then fixed before a high performance water proofing breathable membrane layer is laid. Ultratile engineered copolymer interlocking tiles sheet (12 slates per sheet) are then laid across the roof slope.



Overall dimensions : 135.3 cm x 57.15 cm x 1.9 cm
8 panels per box : approximately 4,65 m² / 0,58 m² per panel

Key performance criteria/simplified rules

- The product can be designed with window frames to all elevations.
- If bi-folding doors are to be used they MUST be bottom supported NOT top hung.
- The standard soffit projects approx 40mm beyond the external face of the window frame - box eaves beam is approx 380mm front to back depth.
- Pitch range - minimum is 12.5° on lean to and 15° on duo pitch - maximum pitch is 40°.
- Maximum 15° pitch variation (front to side).
- System U-Value - with the 211mm Ultrapanel is 0.17W/m²°C (0.13W/m²°C when 25mm internal insulation board added).
- Rectangular glass panels can be integrated to maintain light into any adjacent room. Alternatively, add one of 4 Velux roof windows/sizes.
- Everything is pre-fabricated in our highly efficient factory to ensure rapid one day fit on site.
- On a 4m x 4m Georgian, the system weight is 38kg/M² including plasterboard (12kg/M² polycarbonate roof and 30kg/M² for a glass roof).

U-Design

U-Design is a piece of design and configuration software that exclusively specifies Ultrarroof. As well as visualising and pricing, upon entry of the customer's postcode it checks the wind and snow loads at the exact location to ensure Ultrarroof complies with Building Regulations.

IT IS STRONGLY RECOMMENDED THAT THE ULTRAROOF INSTALLATION GUIDE IS READ AT THE SAME TIME AS THIS DOCUMENT.



HANDY CHECKLIST FOR: SELLING AND DESIGNING THE PERFECT ULTRAROOF

- 1. Choose the preferred roof shape (Georgian, Lean To, Victorian, Gable, P-shape or T-shape). Although the shape of most Victorian Conservatories can be replicated like for like, if the facets are uneven the Tudor Roof may be used. See pages 11 and 78.

- 2. Ask the customer precisely where they would prefer the glass in the roof. Ultraroofs full height rectangular glass panels are the most cost effective way to add glass, but are only available when adjacent to the ridge. Velux also can be used and located in most places on the roof. Refer to pages 8, 33-36.

- 3. Some box gutters may need internal beam support (see pages 37-38). If the customer wishes to change the box gutter type to avoid internal support this may restrict the placement of the glass. On some roofs there may be a trade off between internal support and glass placement. Read pages 43-54 and discuss this with the customer.

- 4. When a box beam is next to a host wall and a tapered gutter is used, the box beam will always be supported by a 90° angled wall bracket (see page 47). All 265mm box gutters require supporting under the beam. Roof glazing choice must be considered when choosing box gutter type. See pages 37-38 and 43-54.

- 5. The box beam has a maximum length of 7m but beams can be jointed. Where the joints are located, supports are required see pages 6 and 71-76.

- 6. The beam cannot run unsupported over 4m. Avoid building bi-fold doors over 4m spans into the design to avoid the need for extra structural support. See pages 43-54.

- 7. Building Regulation compliance is required for SOLID roof conversions and new build extensions. See page 22.

- 8. Use the guide to explain how the soffit will look to the customer. See pages 30 and 60. Soffits over the window frames are available in 40mm and 151.5mm. Refer to page 61 and 62 to identify the right soffit on masonry. Please note, the 151.5mm soffit is the only option compatible with super insulated columns.

- 10. Obtain the POSTCODE so that wind and snow loads can be checked. If you suspect these loads may be high refer to pages 39-42 to understand maximum potential roof sizes available.

- 11. There are many choices of finish to the Ultrarroof, much more than tiles. Ensure you have decisions from the homeowner on everything in the design. See pages 14-19.

- 12. Agree the roof pitch with the customer. Every roof must be pitched in full degrees (e.g. not 25.5°), duo pitches range from 15°- 40° and Lean To's start at 13° - 40°. The only exception to this rule is the lowest Lean To pitch possible which is 12.5°.

- 13. Design the lighting layout with the customer. LED spotlights can be placed within the internal pelmet or added using a board at the ridge. Pendant lights can look particularly striking from the ridge of the new roof. See page 18 for lighting positions on the box beam.

- 14. Curved Cornice - perfect for a more traditional build. The curved Cornice provides the ideal finishing touch to the roofline that both hides gutter and creates a beautiful silhouette. See page 19.

Always consult Ultraframe if there is something you are uncertain about, please call Ultraframe's technical helpline on 01200 452 918 or email techsupport@ultraframe.co.uk

4 STAGE SALES AND DESIGN PROCESS

STEP 1 - LAYOUT - THINGS TO CONSIDER

Any floor plan can be built, 3 & 5 bay victorians, and now P-shapes or T-shapes can be replaced. Stretch Victorian roofs can be accommodated.

The maximum length of Ultrarroof beams are 7m but two can be joined together, however you will need a post or column where the beams join. Ensure the joint positioning is aligned with door or window frames. Refer to page 71-72 for detailed information.

BOX BEAM JOIN

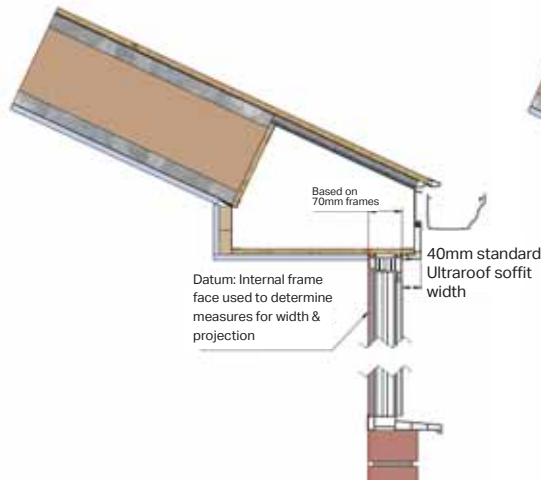


BOX BEAM JOIN

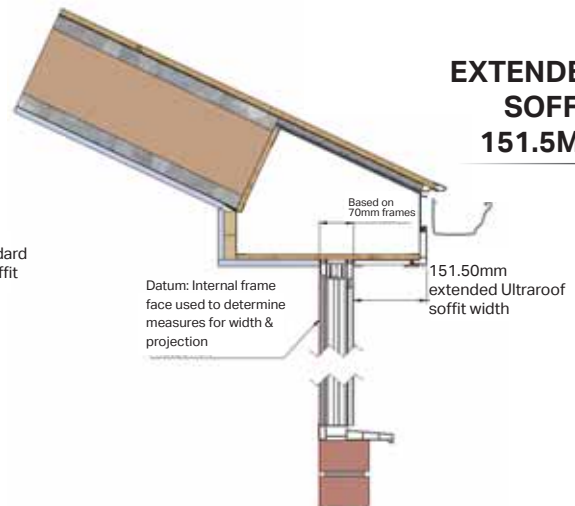


Ultrarroof has 2 soffit depths 40mm and 151.5mm, see soffits shown on frames below (enlarged on p60). Discuss with the homeowner re depth of soffit required on brick work and frames. See page 61 and 62.

STANDARD SOFFIT 40MM

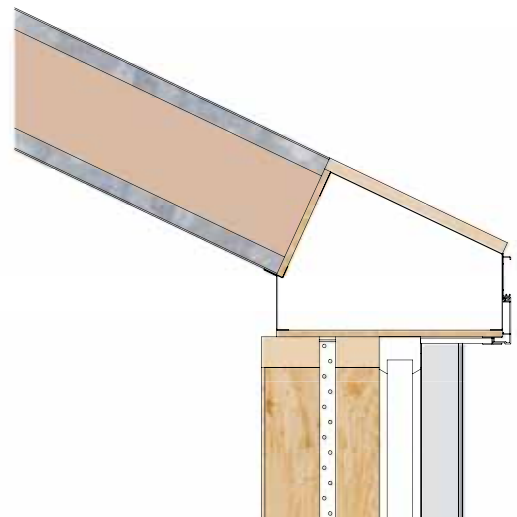


EXTENDED SOFFIT 151.5MM



IF BOX BEAM SAT ON BRICKWORK SEE PAGES 61 AND 62.

Super-insulated columns can easily be integrated with Ultrarroof. An extended soffit must be used with super-insulated columns. See page 77.



STEP 1 - LAYOUT PLAN

Show positioning of all walls (their heights), door openings, windows and expected soffit depths. Ensure the correct soffit is specified taking account whether the facets have frames, masonry or a combination of both.

EXAMPLE BELOW:
Form to fill in

ORDER FORM

ORDER e: roofsales@ultraframe.co.uk

QUOTE e: quotes@ultraframe.co.uk

New Build Replacement Project

ACCOUNT No. ZTRA999

Company Name Home Improve

Order Number 129969

JOB REFERENCE Whittaker/Watson

Company Contact Mick Sunter

Telephone No. _____

Email _____

Delivery Address _____

POSTCODE _____

Delivery Date Req 199081

Quotation Ref _____

CRITICAL INFORMATION
*Required for structural snow / wind loading
B310 2B0

Site Postcode 12.5


Roof Pitch _____

CUSTOMER NOTE: Please carefully read the Ultrarroof380 System Overview before filling in order details

HOW TO PLACE AN ORDER FOR ULTRARROOF380:

- Sketch plan & elevations. (If necessary, attach photos of existing property. Indicate on drawings if any part of project is existing).
- Mark and caption the positions of all walls, brick piers, windows/doors, cut outs / intrusions.
- Mark the preferred positions of any a) roof windows or b) rectangular glazed panels.
- Upon placement of your Ultrarroof380 order, an order confirmation is generated which must be signed and emailed back.

NOTES:
Please see p2 of Ultrarroof380 system overview guide for list of what IS / IS NOT included

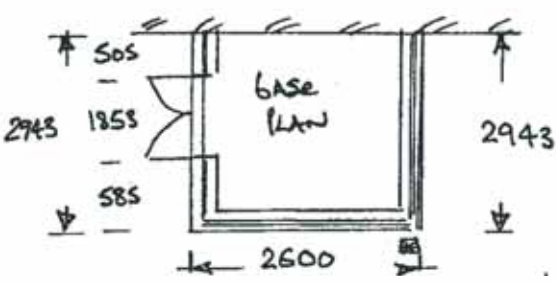


By Ultraframe

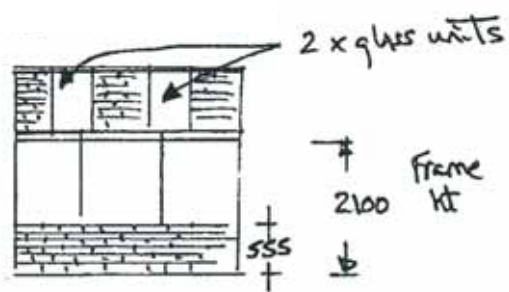
PLEASE SKETCH YOUR PREFERRED DESIGN HERE
- mark window, door & wall positions/types.
INDICATE ON DRAWINGS IF ANY PART OF THE PROJECT IS EXISTING

DIMENSIONS Internal frame to internal frame External fascia to external fascia

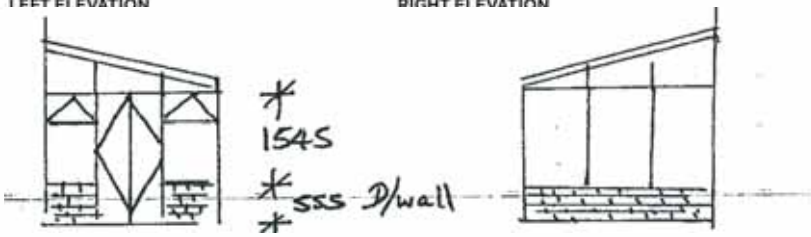
PLAN VIEW




FRONT ELEVATION




LEFT ELEVATION **RIGHT ELEVATION**



DECIDE ON EAVES SET OUT Tick box (a) or (b)


(a) 40mm Soffit


(b) 151.5mm Soffit

N.B. If not sat solely on frames, choose one of the options described on page 67 of Ultrarroof380

4 STAGE SALES AND DESIGN PROCESS

STEP 2 - ROOF GLAZING

Select from INTEGRATED ROOF PANELS or VELUX ROOF WINDOWS, See seperate guide.

NOTE: If the roof design incorporates a box gutter, the box gutter type chosen will dictate your glazing option. Refer to pages 37-38.

Full glass



No glass



Velux

SEE SEPERATE GUIDE



4 STAGE SALES AND DESIGN PROCESS

STEP 2 - BOX GUTTER OPTIONS

There are two box gutters available. 265mm and tapered.

Some box gutters may need internal beam support (see pages 37-38). If the customer wishes to change the box gutter types to avoid internal support this may restrict the placement of the glass. On some roofs there may be a trade off between internal support and glass placement. Integrated glass panels from ridge down to 265mm box gutters. Velux roof windows only down to tapered box gutters.

Limitations imposed by box gutter.

265MM BOX GUTTER

1. 265mm wide fabricated box gutter.
 2. Must be used off fascia boards.
 3. Can be used against vertical walls (when integrated glass specified).
- * See pages 55-59 for intrusions and pages 43 - 54 for structural support options.

NOTE: BOX BEAM MUST ALWAYS BE SUPPORTED WHEN USING A 265MM BOXGUTTER



265mm box gutter shown with full height glass.

TAPERED BOX GUTTER

1. Used when box beam abuts host wall (no integrated glass panels)
2. Used when Ultrapanel strike host wall.

No supplementary support required.
Up to 7m in length.
Jointed beams would require support.



Tapered box gutter

4 STAGE SALES AND DESIGN PROCESS

STEP 3 - ROOF STYLE - SHAPE

Decide the roof shape best suited to the floor plan.



Lean-to



Georgian



Hip Back Georgian



Gable



3 bay Victorian



5 bay Victorian



P-Shape



T-Shape

4 STAGE SALES AND DESIGN PROCESS

STEP 3 - ROOF STYLE - SHAPE

Tudor. See page 78 for details.

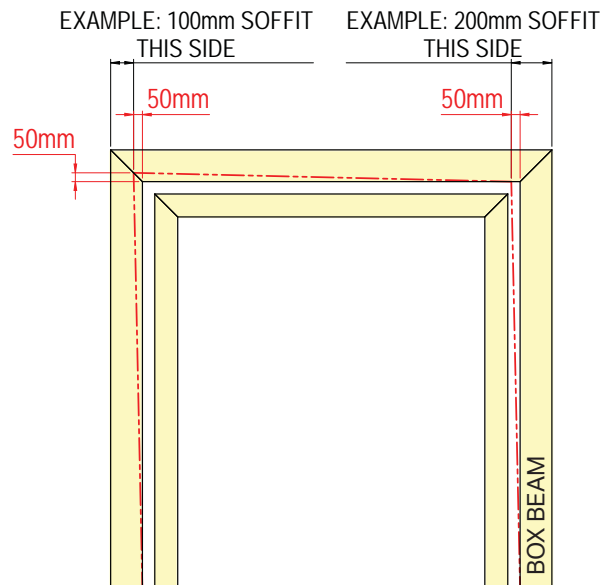
Existing Victorian shaped roofs can be replaced with a Georgian shape with a cantilever overhang which could include a lighting feature. This is particularly useful if the facets are unequal.



Out of square.

Ultraroom can accommodate out of square existing buildings due to the wide nature of the beam. The soffit line will taper on both the inside and outside but the roof will remain square. The 151.5mm extended soffit MUST be used in this situation.

In extreme cases it might be better to recommend a re-build to make it square. See example below.



The deviation that is possible on standard 40mm soffit without on site modifications to parts is 10mm.

4 STAGE SALES AND DESIGN PROCESS

STEP 3 - ROOF CONFIGURATION

Current Roof Shapes:

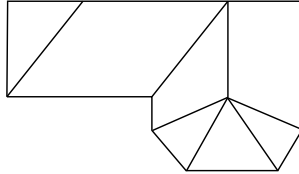
- Design and pricing available in U-Design

For roof shapes outside this present scope, please contact for advice.

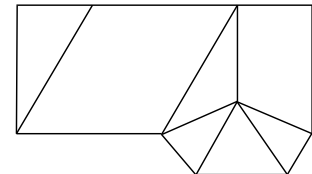
Lean to



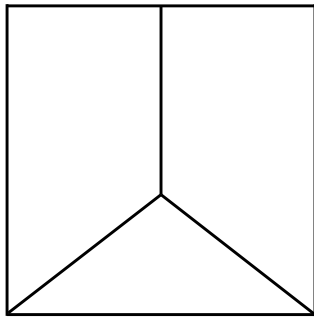
P-Shape (Standard Valley)



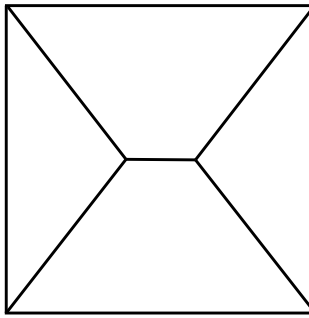
P-Shape (Zero return valley)



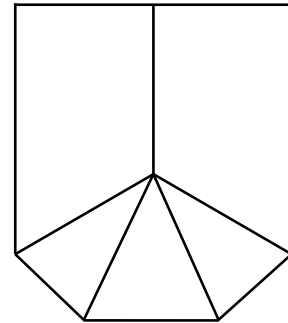
Georgian



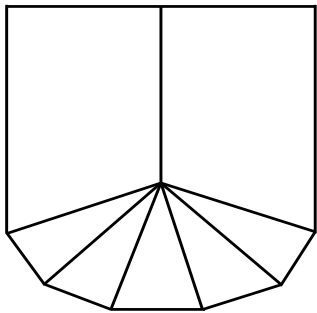
Double Hip Georgian



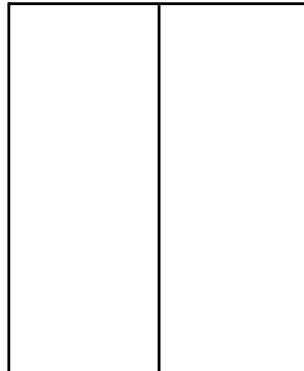
3 Bay Victorian



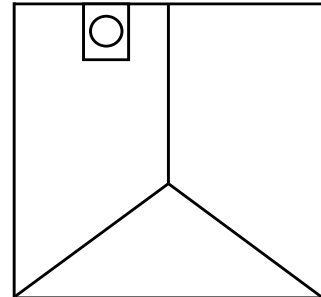
5 Bay Victorian



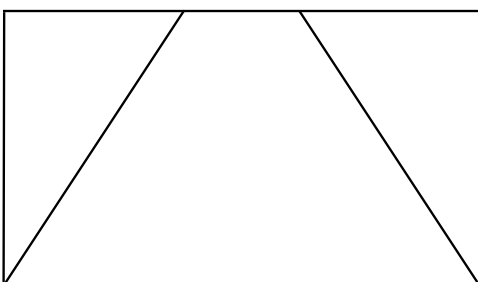
Gable



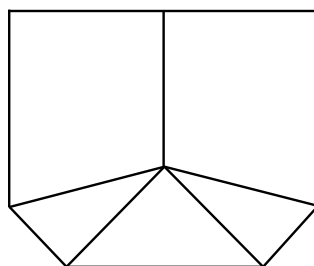
Cut-outs



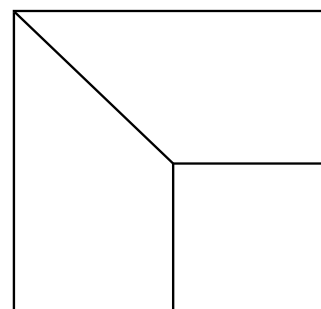
Hipped Lean To



Stretched Front Facet Victorian

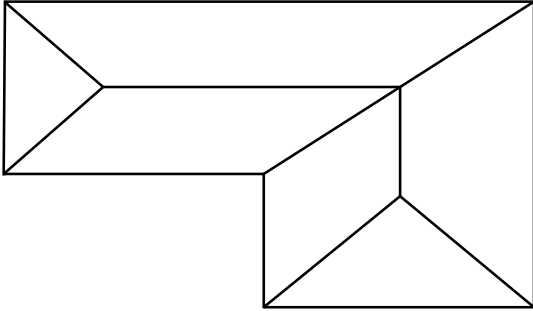


L Shape Wraparound

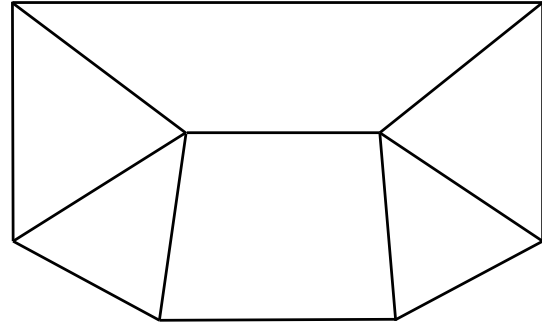


STEP 3 - ROOF CONFIGURATION

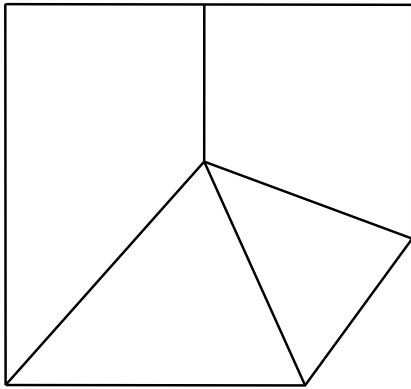
Floating Ridge



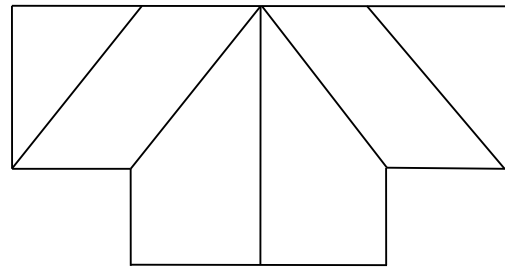
Georgian Victorian



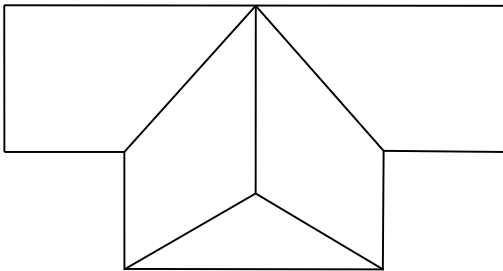
Hybrid



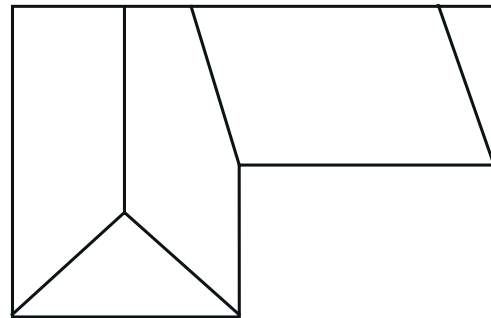
T Shape with hipped ends



T Shape



Drop valley and gull wing



4 STAGE SALES AND DESIGN PROCESS

STEP 3 - ROOF STYLE - RIDGE & HIP BAR

Ridge and hip tiles are available for Ultrarroof but not recommended in certain situations due to the additional trimming and fitting required on site.



ULTRAROOF OPTIONS	RECOMMENDED aluminium hip and ridge capping	OPTIONAL Tiled hips, aluminium ridge capping	OPTIONAL hips and ridge tiles	Tile finishing details
Georgian solid or with Velux roof window	YES	YES	YES →	Fitted to timber batons and trimmed at intersection point on site. (Trimming approx 30 min)
Georgian with integrated rectangular glass	YES	YES	NO →	No solution available
Victorian 3/5 bay solid or with Velux roof window	YES	NO	NOT RECOMMENDED →	Fitting/trimming of tiles at intersection point takes 2/4 hours on site. Aluminium capping option gives a neater solution.
Victorian 3/5 bay with integrated rectangular glass	YES	NO	NO →	No solution available



The most popular choice by far is aluminium top caps

- ✓ Increases profit
- ✓ Fast to fit
- ✓ Lower cost

4 STAGE SALES AND DESIGN PROCESS

STEP 4 - FINISHING TOUCHES - COLOUR

The Ultrarroof tile polymer roofing system not only replicates the natural look of slate tiles but is easier to install and less expensive without incurring the extra structural cost needed to accommodate conventional slate roofing. The Ultrarroof tile polymer roofing system is also designed to outperform and be more cost-effective than any other synthetic slate tile replica system on the market.



- 12 tiles per panel – fastest and easiest tile system to install!
- Most authentic looking tile on the market
- Much lower cost than fitting traditional slate tiles
- Lightweight co-polymer material - easy to install and transport
- Spacing and fixing guides making the tiles extremely quick to fit
- Fire resistance to National Class AC (as referred to in Building Regulations)
- Resistance to discolouration (U.V. rays)
- Perfect for replacement or new build projects
- Made from 100% recyclable material
- Virtually maintenance free
- Tiles laser cut in house for speedy installation

Available in 3 authentic colours to match 90% of UK housing stock



Carbon Grey



Harvest Brown



Terra Brick

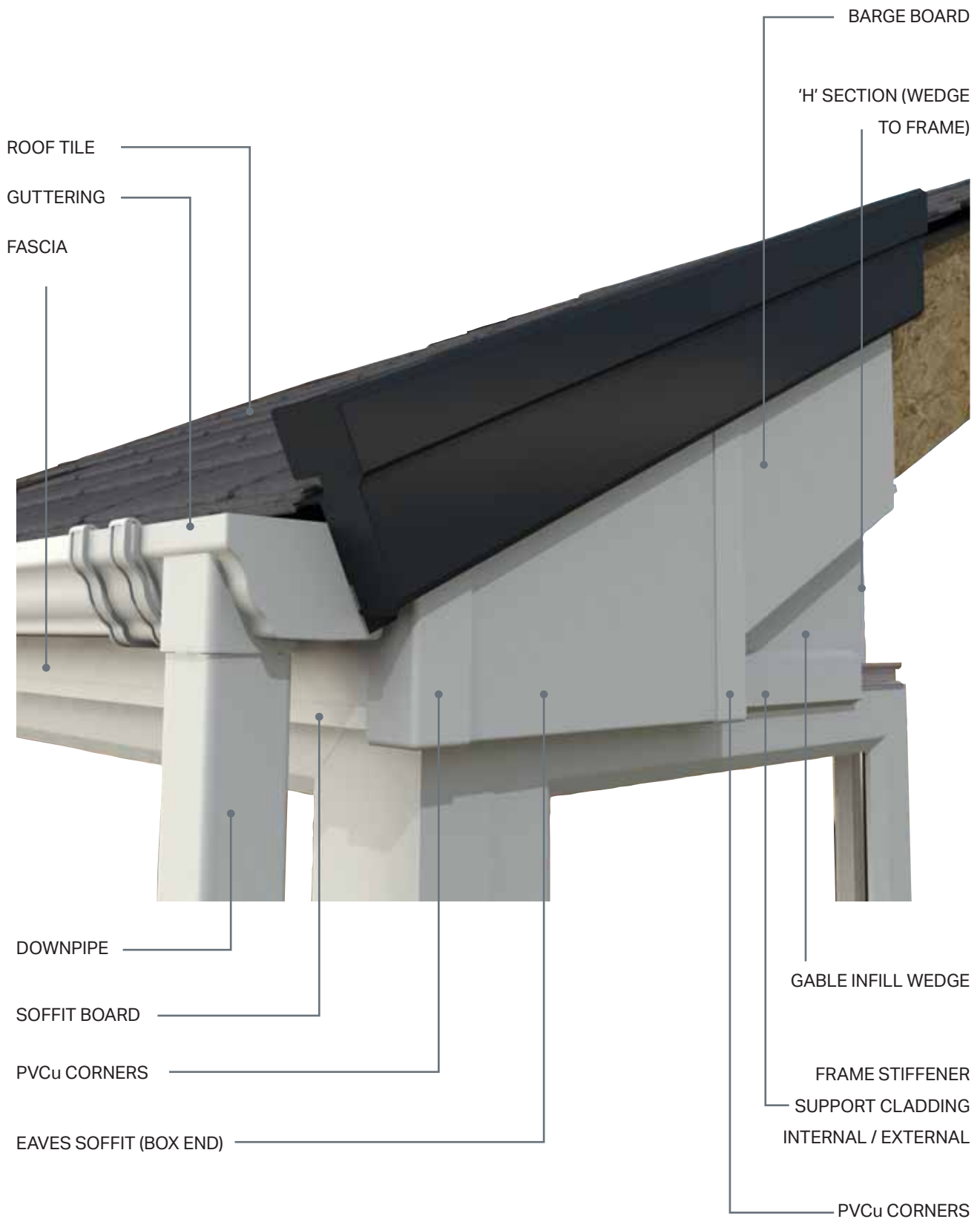
The pictures of tiles are used for illustration purposes only.

Refer to sample for accurate tile colour.

4 STAGE SALES AND DESIGN PROCESS

STEP 4 - FINISHING TOUCHES - COLOUR

Customers can choose the colour of guttering, fascia/barge board, downpipes, gables support cladding. See page 17 for the colour choices available.

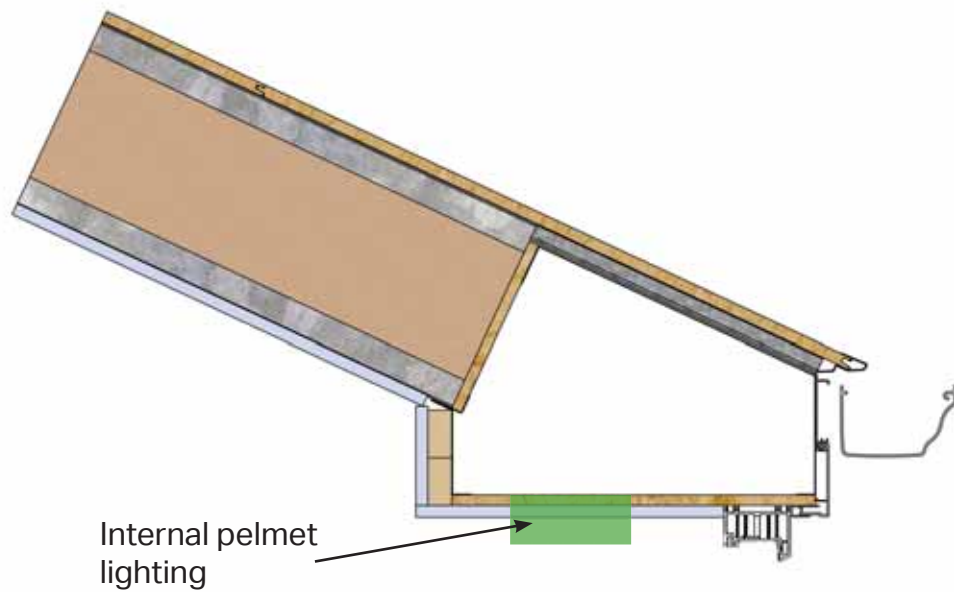


4 STAGE SALES AND DESIGN PROCESS

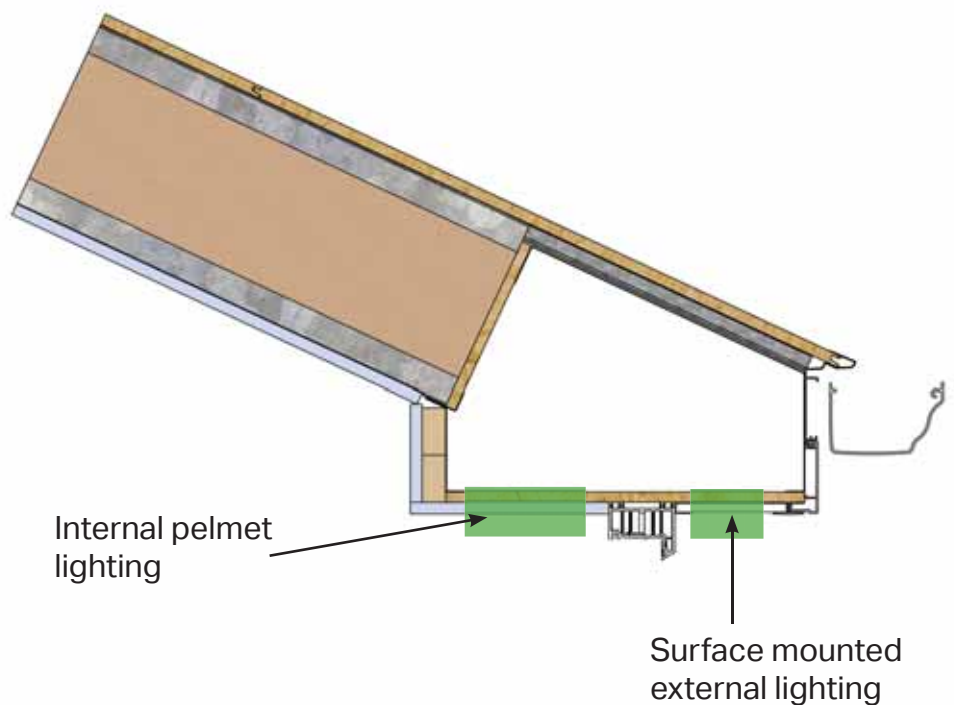
STEP 4 - FINISHING TOUCHES - PELMET LIGHTING

Internal lighting can be installed with a standard or extended soffit. Surface mounted lighting can be used externally on the extended soffit. Downlighters must be LED IC (Insulation Contact) fire rated. External lights must be waterproof, low voltage and suitable for external use.

STANDARD SOFFIT

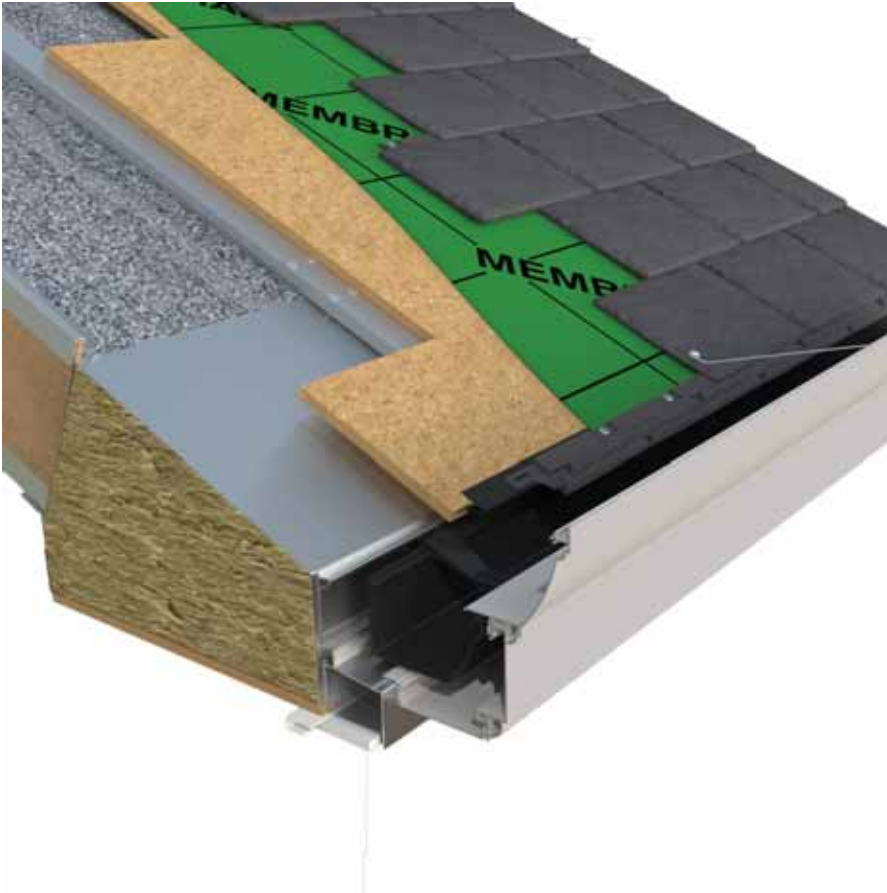


EXTENDED SOFFIT



STEP 4 - FINISHING TOUCHES - CURVED CORNICE

Curved Cornice in white or grey only. Super-insulated column compatible. Super-insulated column concealed downpipe is not possible. 90° and 135° external corner cover angles only.



90° Cornice return on gable fronts

HANDY CHECKLIST FOR: SURVEYING ULTRAROOF

GENERAL

- | | |
|--|--|
| <p><input type="checkbox"/> 1. Is planning permission or building regulation approval needed?
If yes, who will apply?</p> <hr/> <p><input type="checkbox"/> 2. Is there sufficient access to the proposed building?
Including height and width restrictions for delivery of material, concrete, frames, glass & welded cills etc?</p> <hr/> <p><input type="checkbox"/> 3. Will construction involve crossing any public or neighbours path, garden, wall or hedge?</p> <hr/> <p><input type="checkbox"/> 4. Will you need a skip on site?</p> <hr/> <p><input type="checkbox"/> 5. Are there plants, bushes, trees, sheds, fish-ponds in the way?</p> <hr/> <p><input type="checkbox"/> 6. Are there any other visible obstructions on the ground?</p> <hr/> <p><input type="checkbox"/> 7. Is the house wall sufficiently out of plumb to require any allowance in the design of the roof? See page 27.</p> <hr/> <p><input type="checkbox"/> 8. Are there any signs of settlement or hairline cracks in the house wall - have these been pointed out to the customer?</p> <hr/> <p><input type="checkbox"/> 9. Is there a soil vent pipe, RWP, extractor fan or gas flue in the way of the proposed roof?</p> <hr/> <p><input type="checkbox"/> 10. Are there any existing window or door openings to be moved, altered or bricked up?</p> <hr/> <p><input type="checkbox"/> 11. New openings to existing property will require new lintels which will require building regulation approval. See page 22 - building regulations.
Fitting Ultrarroof does not guarantee the removal of separating doors.</p> <hr/> <p><input type="checkbox"/> 12. Are there any existing window or door openings to be included within the newly proposed extension?</p> <hr/> <p><input type="checkbox"/> 13. Is there a height restriction above the proposed roof ie. a bedroom window?</p> <hr/> <p><input type="checkbox"/> 14. Ensure there is enough room above the ridge to lead flash?</p> | <p><input type="checkbox"/> 15. If installing to a bungalow fascia, lift the front row of tiles, check that the roofing felt over the projecting eaves is in good condition or it will need to be replaced.</p> <hr/> <p><input type="checkbox"/> 16. Will the new extension roof fit below the bungalow soffit board?</p> <hr/> <p><input type="checkbox"/> 17. Will the new extension roof fit to the bungalow fascia board?</p> <hr/> <p><input type="checkbox"/> 18. Ensure the fascia is deep enough and in good enough condition?</p> <hr/> <p><input type="checkbox"/> 19. When installing a roof to the fascia is there enough room to re-fit the existing gutter?</p> <hr/> <p><input type="checkbox"/> 20. Will the Ultrarroof overhang a boundary wall? With a standard soffit Ultrarroof is 90mm wider than a standard conservatory roof on both sides and 202mm wider when the extended soffit is used.</p> <hr/> <p><input type="checkbox"/> 21. Has the right box gutter been specified? Refer to page 9.</p> <hr/> <p><input type="checkbox"/> 22. Will the box beam need any structural support? Any unsupported box beam over 4m needs structural support (Gallows, brick piers, timber stud work). Refer to pages 43-54.</p> <hr/> <p><input type="checkbox"/> 23. Will an extended soffit be needed? (e.g. with Super-insulated or brickwork columns)</p> <hr/> <p><input type="checkbox"/> 24. Is there enough space on the house wall to allow for the box beam. It should not cut across openings on the host wall.</p> |
|--|--|

Always consult Ultraframe if there is something you are uncertain about, please call Ultraframe's technical helpline on 01200 452 918.

HANDY CHECKLIST FOR: SURVEYING ULTRAROOF

REPLACEMENT

1. Are there any "hairline cracks" within the existing base and walls to establish whether the existing structure is sound.
-
2. Are the existing window frames in good condition or is there for example evidence of cracking welds within the frames.
-
3. What are the internal and external frame sizes and relevant apertures?
These must all be measured to ensure the desired overhang is achieved.
-
4. Will existing cavity trays and flashing need to be moved? Ultraroom sits higher on the slope. (27.5mm higher with a standard soffit and 79.5mm higher with an extended soffit.*)
Compared to Ultraframe Classic Roof 4000mm internal width at 25° pitch

NEW BUILD

1. Are there any existing structures to demolish?
-
2. Is there an existing patio or path to be removed?
-
3. Is there an existing retaining wall - will this need re-constructing?
-
4. Are there any projecting bell casts, soldier courses, key stones in the way?
-
5. Are there any TV, satellite or telephone cables in the way?
-
6. Are there air bricks or head ventilators in the existing extension?
-
7. What is the existing external wall finish - Facing brick, stone, render or pebbledash to match to?
-
8. If facing brick, is a cavity tray required?
-
9. Will you need to install a vertical damp proof course where the side frames abut the house/bungalow wall?
-
10. Are there any existing underground drainage pipes to be moved or built over?

NEW BUILD

11. Is there an existing manhole to be moved or raised to the new extension floor level then sealed with an airtight cover?
-
12. Are there any pipes or cables to be catered for in the proposed build?
-
13. Will the difference in house floor level and the proposed new extension floor level require steps?
-
14. Will the difference between the proposed new extension floor level and the outside ground floor level need a landing, steps and handrail?
-
15. Is a dwarf wall required - what height?
-
16. Are there squint bricks or stone quoins required or will you cut and bond bricks?
-
17. Are there any new openings required in the proposed basework for doors?
-
18. Is the site sloping away requiring extra height to the basework?
-
19. Is the site sloping towards the basework requiring excavation?
-
20. Will a retaining wall be needed?
-
21. Is a new path or patio area required?
-
22. Check coursing and spacing of brickwork against existing - ie Imperial or Metric
-
23. Is the new extension rainwater to discharge into an existing gulley or is a new gulley required?
-
24. Is there a sufficient number of rainwater outlets for the size of roof?
-
25. Is there an existing gulley to move?
-
26. Has all the detail been discussed and agreed with the customer?

BUILDING REGULATIONS

Building regulations are required when up-grading/ replacing an existing conservatory polycarbonate or glass roof to a solid roof. Why?... principally for 3 reasons:

1. The work is a material alteration (structural alteration)
2. The roof must comply thermally with part L (a thermal improvement)
3. The supporting structure (vertical frames and base work) are capable of supporting the increased load.

It is also argued that providing the 'thermal separation' is maintained (i.e.: the original or newly complaint door set separating the conservatory from the main dwelling) then Building Regulations approval is NOT needed, as it remains a conservatory (unless over 30 sqm). But be reminded Building Regulations are still required for the roof conversion. Removal of the 'thermal separation' alters the status. The conservatory is now no longer exempt.

So 'changing the status' is the principal reason why local authority or private sector approved inspector must be consulted to advise on a full investigation of the existing structure to check for thermal, structural stability and integrity. Conveyancing solicitors insist a Building Regulations Approval 'certificate of conformance' must be obtained on the installation of a solid roof conversion. The certificate will ensure the homeowner as the necessary documentation when selling their property.

Ultraroom meets building regulation requirements. To ensure the design is fit for purpose, please provide the postcode so that wind and snow are applied correctly to the design. In addition to the quotation Ultraframe can provide a thermal report to enable SAP calculations to support the building regulation application.

ENGLAND & WALES - REPLACEMENT ROOFS

Building regulations for solid replacement roof projects can be applied for EITHER through the Local Authority Building Control Department OR through a private sector Approved Building Control Inspector i.e. JHAI.

The design details for Ultraroom has been registered with JHAI, an Approved Building Control Inspector who have audited the Ultraroom manufacturing process. JHAI's inspectors provide a consistent and informed service when applications are made to them, typically with only one inspection visit arranged directly with the householder. For more details visit www.UR380info.com

ENGLAND & WALES - NEW BUILDS

Building regulations for new build projects can be applied for EITHER through the Local Authority Building Control Department OR through a private sector Approved Building Control Inspector.

JHAI offer building control service for new build projects, with up to six visits to site if required depending on the complexity of the project. Please visit www.UR380info.com to download details of JHAI's costs and service.

SCOTLAND

A building warrant is required for all roof replacement and extensions in Scotland. An SER (Structural Engineers Report) is typically required as part of the warrant application. Please consult Ultraframe if you need advice on structural engineers who have experience with Ultraroom.

MAKE AN ENQUIRY

- Email enquiry/quote form to quotes@ultraframe.co.uk
- Always include site postcode

RECEIVE A QUOTE

- Structural Design Report
- Thermal Report
- Quote

OBTAIN SER REPORT

- Retailer commissions a Structural Engineer to provide SER for complete structure
- Send Ultraframe Structural Design Report to Structural Engineer

SAP CALCULATION

- Retailer commissions Engineer to provide SAP calculations
- Send Ultraframe Thermal Report to SAP Engineer

WARRANT APPLICATION

- Apply to local Authority Building Control for approval
- Send Warrant Application with SER and SAP Calculation

Planning permission and Building Regulations can be a tricky subject when building home extensions, so it's important to refer to the most relevant and up-to-date information. The Planning Portal (<https://www.planningportal.co.uk/>) is the best source of information for Planning and Building Regulation information for conservatories and extensions. Also, please download the GGF's 'A Guide to Good Practice' for a detailed overview of the specification and installation of conservatories within the United Kingdom.

ASSESSING THE EXISTING CONSERVATORY

Changing the roof on a previously exempt conservatory from glazing to solid panels means that you have changed the status of the structure.

The new roof is seen as an improvement and **MUST** comply with parts of the Building Regulations (this assumes the doors separating the house and conservatory are retained). There is a caveat – the replacement roof should not make the condition of the existing structure worse – this relates to the ability of the existing side frames and foundations to carry the additional loads imposed by the solid roof. It is necessary to undertake some structural checks that **MAY** lead to additional site works.

Adequate support from the existing structure is required in three main areas by:

1. Window frames.
2. Mullions/corner posts.
3. Foundations.

PVCu WINDOW FRAMES

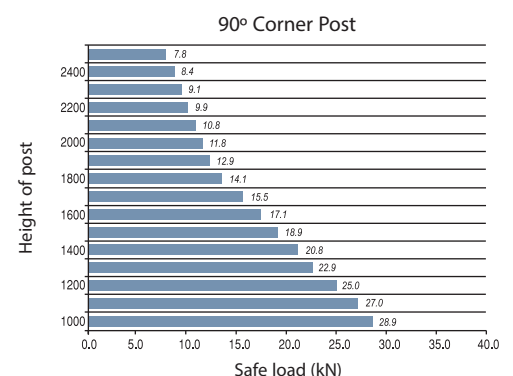
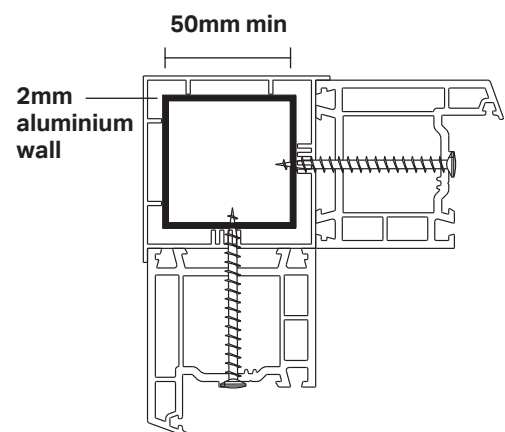
The primary fixing method of the roof is at the house wall and through the head of the window frames and into the beam. At the corners fixing is made through the existing frames into the OSB corner sheaves (which are supplied) and into the beam. When fitting Ultrarroof onto the existing frames, then the side frames may need de-glazing to allow fixing of box eaves beam. Use bay pole fixings or similar at 450 centres and no more than 200mm from each eaves end/corner (not provided).



CORNER POSTS

Unreinforced PVCu Frames. If at survey stage there is no reinforcement within the PVCu frames it may be necessary to replace the corner posts. The dead load of Ultrarroof is 38Kg/m² plus the snow load which as a minimum is typically 60kg/m². On a 5m x 5m Georgian roof for example, the load is 2803Kg which translates to a maximum loading at each corner of 7kN.

Using the table to the right it can be seen that an aluminium corner post of 50mm square hollow section with a 2mm wall will be adequate - generally corner posts will be larger than this. At survey stage it may be difficult to confirm the presence of the aluminium inside the PVCu sleeve until the roof is removed. Assuming new frames are not being installed, it may be advisable to send with the fitters some spare corner posts to swap with the existing.

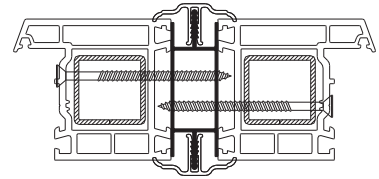


ASSESSING THE EXISTING CONSERVATORY - GUIDELINES

MULLIONS

An aluminium mullion performs a number of functions, namely;

- acting as a wind post to prevent deflection of the frames by wind pressure
- to support the roof's eaves beam
- to assist with the connection of the side frames.



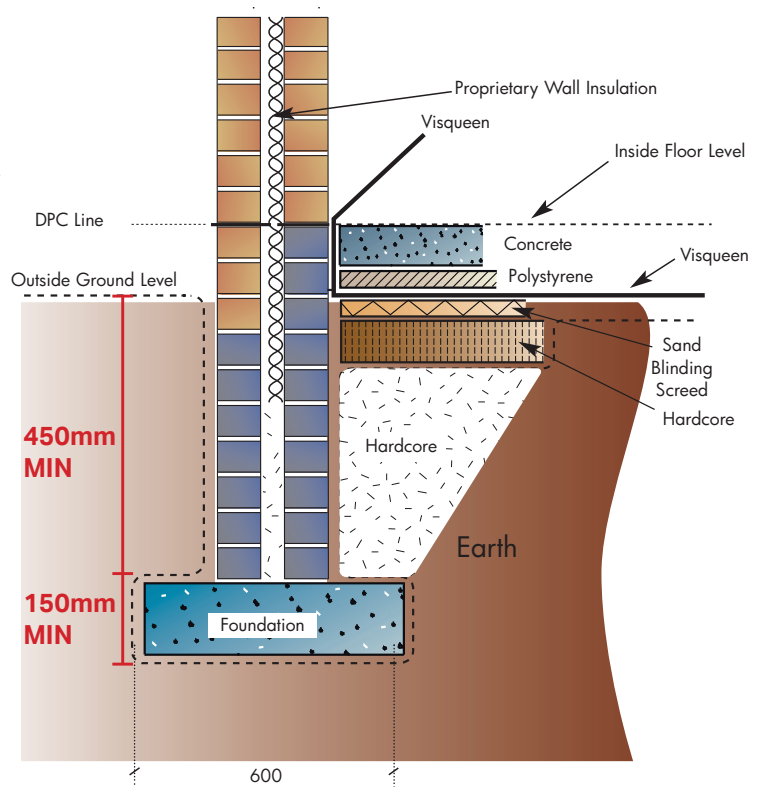
Mullion as a wind post:- the size of the mullion depends on the height of the frame. With full height frames (2100mm) the mullion needs to be the full front to back depth of the window frame and at least 20mm wide.

Adding mullions to existing frames is not really viable – this option should be considered if the consumer has requested new frames/doors. Should the PVCu frames be replaced, the insertion of suitable mullions can obviate the need for reinforcement in the frames (as far as structural reasons are concerned) – when using mullions, always place a 20mm washer behind the head of the screw to spread fixing loads.

FOUNDATIONS

As everyone knows and appreciates, foundation design greatly depends on local ground conditions and advice should be sought from local LABC or an Approved Inspector like Ultraframe's partner Jhai. However there are some rules which are absolute and therefore if the proposed conservatory falls outside this it may be necessary to underpin the existing or remove the existing base and start again. Take up the old foundations if;

- There is an inadequate depth of foundation. The strip foundation **MUST** be a minimum of 450mm and the concrete strip a minimum of 150mm thick.
- There is visible movement between the house wall and the conservatory dwarf wall or cracks in the dwarf wall - this is a clear indication the foundations are not adequate and also require remedial work.
- On new build projects the footing depth should be that of the house.



Remediation work (mini piling etc.) can be undertaken cost effectively – Ultraframe recommends **QUICKBASE 0845 644 0000** if you wish to pursue this option.

IF IN DOUBT ABOUT STRUCTURAL COMPLIANCE, PLEASE CONSULT LABC, JHAI OR A STRUCTURAL ENGINEER.

The installation of cavity trays above solid roof extensions is always regarded as 'best practice'.

ULTRAROOF SURVEYING GUIDELINES

Ultrarroof, light weight solid roofing differs from Ultraframe Classic conservatory roofing in that, it offers a traditional overhanging soffit area beyond the external frame face. Initial site survey is no different in that great care must be taken in examining the existing host wall for being flat (ie: bulges or bowing from left to right) and vertically plumb (ie: leaning forwards or backwards). If any of the above issues are detected then this must be allowed for in your final sizes.

ULTRAROOF IS WORKED FROM INTERNAL FRAME SIZES.

If replacing a conservatory roof on **60mm frames** with **Standard soffit**, the soffit overhang **increases to 50mm**.
If installing on **100mm frames**, the Standard soffit overhang would **reduce to 10mm**.

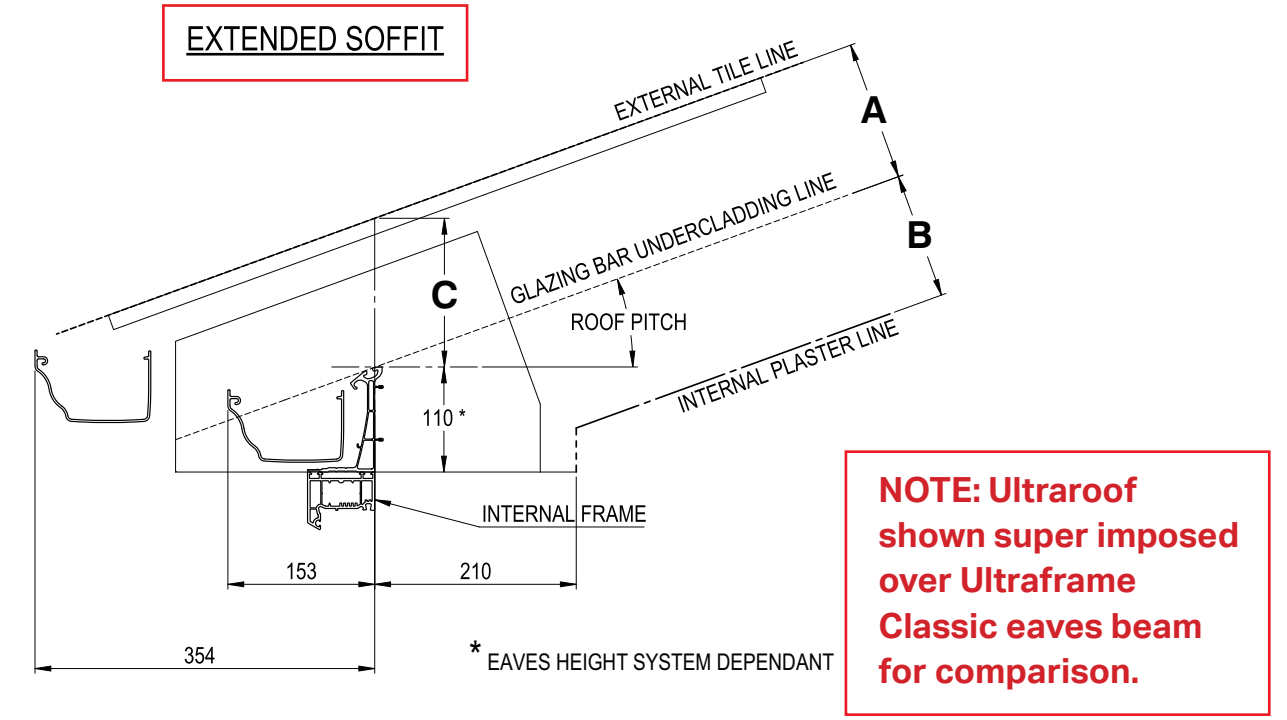
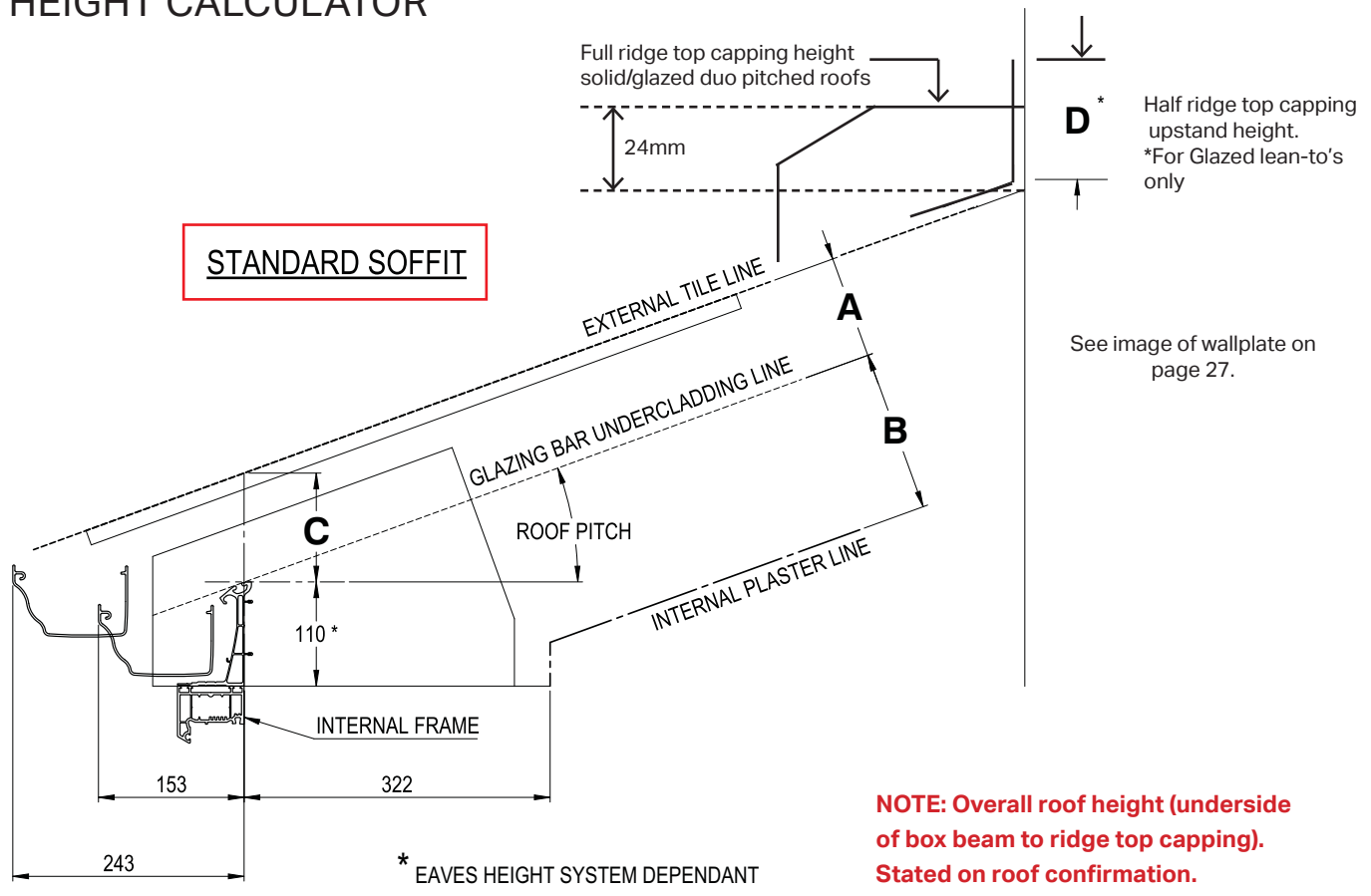


INTERNAL FRAMES	OVERHANG IS SET	WHEN BOX EAVES BEAM SAT ON
STANDARD SOFFIT	40mm	70mm frames
EXTENDED SOFFIT	151.5mm	70mm frames

ULTRAROOF INFORMATION

- 1 Ultrarroof must be made square, off the host wall. Variable internal angles or uneven facet sizes maybe accommodated. Maximum 15° pitch variation (front to side)
- 2 Tudor roof maybe used over odd facet Victorian. See pages 11 and 78.
- 3 Lean-To's with hipped end(s) may have up to 15° pitch variation front to side(s). Minimum pitch 12.5°.
- 4 Every roof must be pitched in full degrees (e.g. not 25.5°), duo pitches range from 15°- 40° and Lean-To's start at 12.5°, otherwise 13-40 in one degree increments available in full degree increments.
- 5 On replacement roof only jobs existing internal frame angles may vary. This will result in varying internal/external soffit width variations being visible. If extreme, replacing the frames would be recommended. If existing basework/ brickwork angles are out, the fitting of a deeper external cill may hide discrepancies.
- 5 Externally, Ultrarroof with "Standard soffit" is 180mm (90mm each side) wider than Classic roof. Greater care is needed when working close to the boundary line. Ultrarroof, coincidentally, is the same width as Classic roof with Cornice .i.e: 242mm from internal frame to outer edge of gutter.
- 7 Externally, Ultrarroof with "Standard soffit" sits 27.5mm higher on slope/pitch than Classic roof at 25° pitch. This should not affect an existing lead flashing line if going to be re-used.
- 8 Externally, Ultrarroof overall roof height (stated on roof confirmation) is measured from underside of box eaves beam (head of frame, unless packed off) to top of external ridge top capping. Allow for standard ridge flashing detail above this.
- 9 Externally, if fitting "Extended soffit" the roof sits 79.5mm higher on slope/pitch than Classic at 25° pitch. This could interfere with existing flashing detail. Critically more important if a cavity tray is installed. Therefore, if cavity trays are installed, standard soffit overhang would be better suited.
- 10 Internally, using "Standard soffit" detail: The box eaves beam (when plastered) stands 321.5mm in from internal frame. ENSURE this does not cut across an internal patio door/window opening on the rear host wall. Using "Extended soffit" which stands only 210mm in from internal frame may help in this situation. Reducing the opening width and replacing with narrower doors may be an alternative solution. See page 30.

HEIGHT CALCULATOR



STANDARD	A	B	C	D
12.5	97	154	98	96
15	101	151	103	94
20	107	144	114	88
25	114	138	126	82
30	119	133	139	76
35	124	128	154	69
40	128	124	171	61

EXTENDED	A	B	C	D
12.5	121	131	123	96
15	130	122	133	94
20	146	106	154	88
25	161	91	178	82
30	175	77	203	76
35	188	64	232	69
40	200	52	265	61

LEAN TO INFORMATION - HEIGHTS TO TOP OF HALF RIDGE TOP CAPPING



Half ridge glass lean to

EXAMINING THE HOST WALL

This information applies to both replacement and new build projects. Please read this guide before commencing your survey.

Check the House Wall

The box beam is large and should not be cut on site. Tiles are pre-cut to minimise work on site. As a result adjustments in size due to variations in the house wall are best made at survey stage.

Please check the house wall to establish whether it is plumb. Adjusting the projection dimension before manufacture will ensure your design will fit. Please advise your installers that you have made this adjustment to avoid confusion on site.

New Build.

If the house wall leans forward: when the Ultrarof half ridge (shown) butts to the house wall the whole conservatory will be pushed forward of the basework, resulting in excessive overhang at the front. You would benefit by reducing the projection in this case to. See Diagram A.

If the house wall leans backwards: then the roof projection dimension should be taken from the top of the dwarf wall and a suitable packer will need to be inserted between the half ridge and house wall when installing. See diagram B.

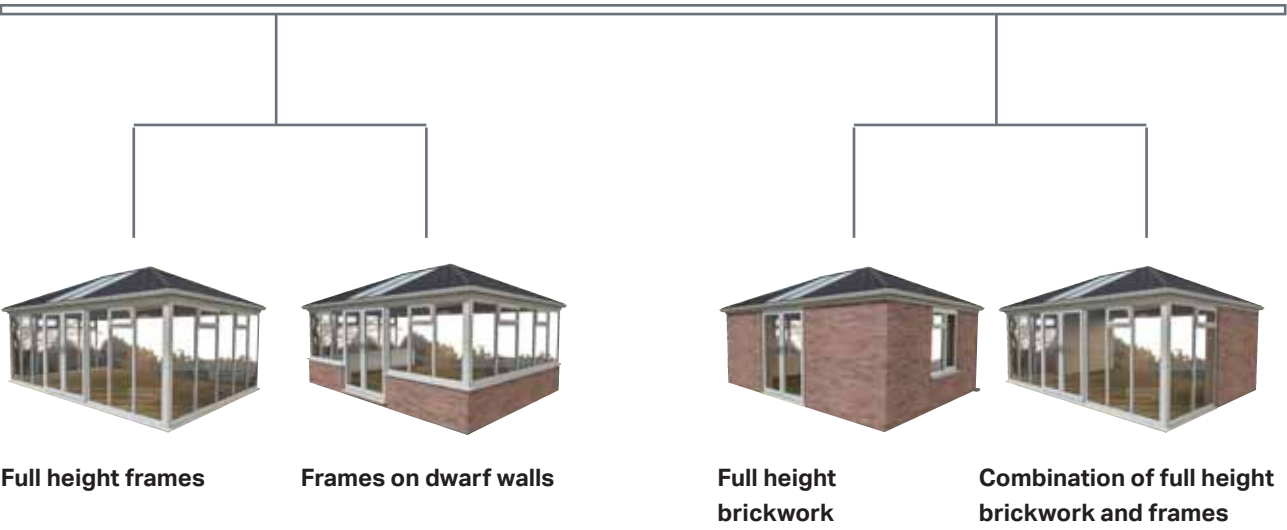


Diagram A

Diagram B

CALCULATING THE ROOF SIZE

What is the Supporting Structure?



Use internal frame measurement to order

Use internal frame measurement to order OR
Use finished roof measurement to order (fascia to fascia)

Which soffit type do you want?

- A STANDARD**
Soffit Widths = 40mm
 - *B EXTENDED**
Soffit Widths = 151.5mm
- *Compatible with super-insulated columns

Which brick option do you want?

- *1** Soffit Widths = **BRICK 94mm | FRAMES 126.5mm**
(From external face of fascia)
 - 2** Soffit Widths = **BRICK -190mm | FRAMES 40mm**
(From external face of fascia)
 - *3** Soffit Widths = **BRICK 7.5mm | FRAMES 40mm**
(From external face of fascia)
 - 4** Soffit Widths = **BRICK 40mm | FRAMES 72.5mm**
(From external face of fascia)
- *Compatible with super-insulated columns

FOR INFORMATION ABOUT HOW THE SOFFITS WILL SIT OVER WINDOW FRAMES SEE PAGE 60.

FOR ADDITIONAL INFORMATION ON OPTIONS FOR HOW THE SOFFIT WILL SIT ON BRICKWORK SEE PAGES 61-63.

SPECIFIERS

– USEFUL POINTS TO REMEMBER WHEN ORDERING ULTRAROOF

1. A Building Regulation application form must always be submitted to the relevant Local Authority or private sector building control.

2. Postcodes should always be included with your order so that the structural design guide within the software will ensure the snow and wind loads are correct.

3. With a standard soffit Ultrarroof is 90mm wider than a standard Ultraframe Classic conservatory roof on both sides and 202mm wider when the extended soffit is used. Include all WALL heights and distances to boundary lines in floor plans and elevations.

4. Ultrarroof's aluminium ridge and hips caps are generally preferred vs replica tile ridge caps as they are considered to look better and are fitted much faster. Both options are available, see page 14 for restrictions.

5. All new window frames and cills should be fully reinforced to support Ultrarroof. A maximum frame length of 2.5m is allowed before structural couplings are required.

6. Ultrarroof's unique full height glass panels are the most cost effective way to install glazed panels and are consumer preferred due to their size. There are however some limitations to the glazing options offered. See pages 33-36 and 38.
 - Rectangular glass units can NOT be positioned on roof slope down to tapered box gutter.
 - 550mm wide Velux roof windows only. Can be installed to tapered or 265mm box gutter.
 - Integrated glazing. Only rectangular glass units up to 1,000mm wide at 90° to the ridge are permitted.

7. The Ultrarroof box beam requires structural support in certain situations e.g. over 4M spans and when a 265mm box gutter is used. The structural support options offer a design choice for homeowners. Ensure that the options have been agreed with the homeowner in advance. Refer to pages 43-54.

8. During the initial stages of installation the box beam will need to be supported. Ensure timber support props or acro props will be available on site, refer to installation guide.

9. There are two box gutter options; 265mm or tapered. Tapered box gutters can only be used when box beam or roof panels directly abut host wall. Refer to pages 9 and 37-38.

10. Ultrarroof comes in three shades of authentic tiles and you can order a range of colours for fascia board, barge board, gable infil & guttering etc. See pages 15-17 for options.

11. On Lean-to roofs, the gable end frame stiffener is NOT supplied as standard. Must be requested if required (for example above door openings (see image at the bottom of page 32)

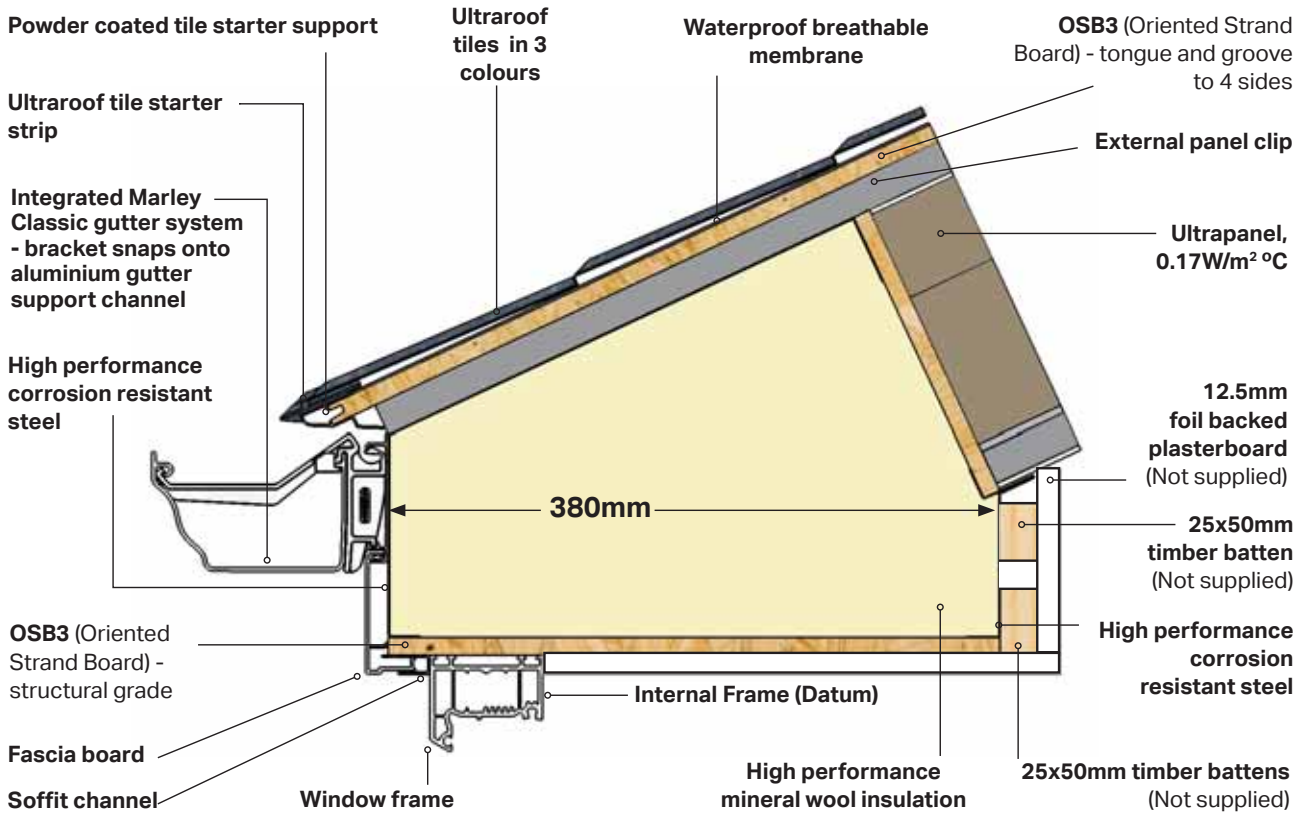
Several items are not supplied by Ultraframe as they are easier and cheaper to source locally.

These are:-

- Velux roof windows and EDL flashing kits (the roof arrives prepared for Velux)
- Anchor or Masonry fixng bolts to host wall
- Internal 25mm x 50mm, 20mm x 50mm timber plastering battens.
- 12.5 foiled backed plaster board and skimming beads.
- LED (fire resistant) lighting.
- Structural support (available from Ultraframe)
- Timber support props (75mm x 50mm) beam support
- FRAME TO BOXBEAM FIXINGS

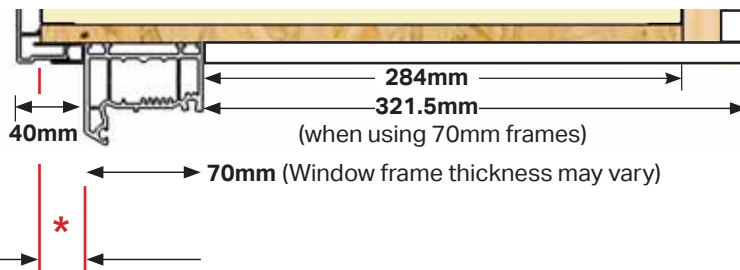
Always consult Ultraframe if there is something you are uncertain about, please call Ultraframe's technical helpline on 01200 452918

BOX BEAM SOFFIT DETAILS

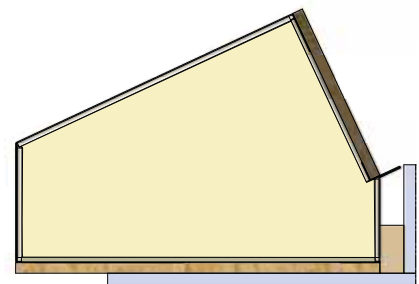


40mm Standard Soffit

NOT SUITABLE FOR SUPER-INSULATED COLUMNS



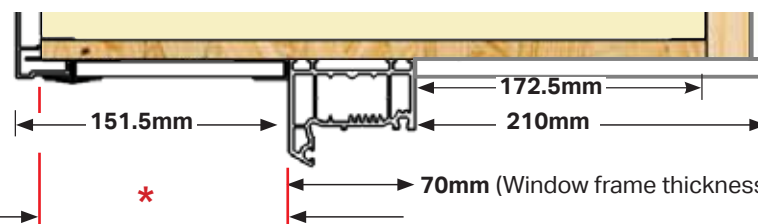
* Outer face of box beam overhang set 26mm from outer face of 70mm frame



151.5mm Extended Soffit

MUST BE USED ABOVE SUPER-INSULATED COLUMNS

Alternative (only option if sat on super-insulated columns) - see page 77.



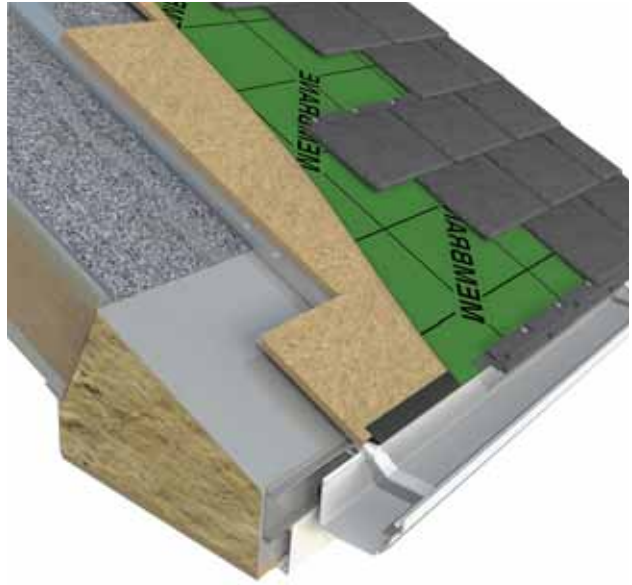
* Outer face of box beam overhang set 137.5mm from outer face of 70mm frame

PRODUCT ASSEMBLIES

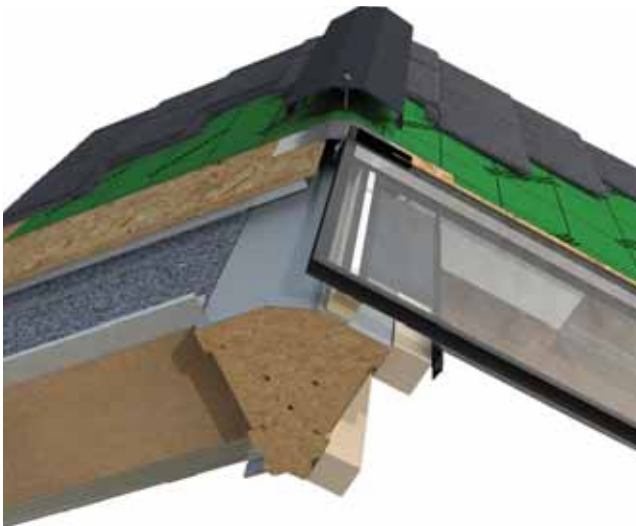
Beam glass



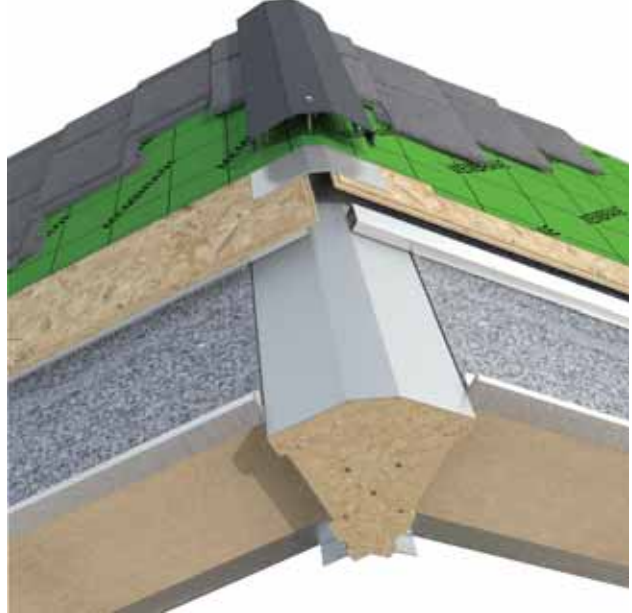
Beam solid



Ridge solid to glass



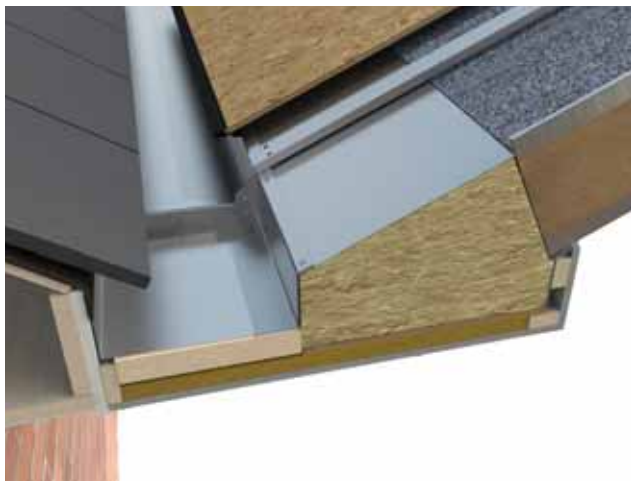
Ridge solid to solid



Ridge glass to glass



265mm box gutter solid



PRODUCT ASSEMBLIES

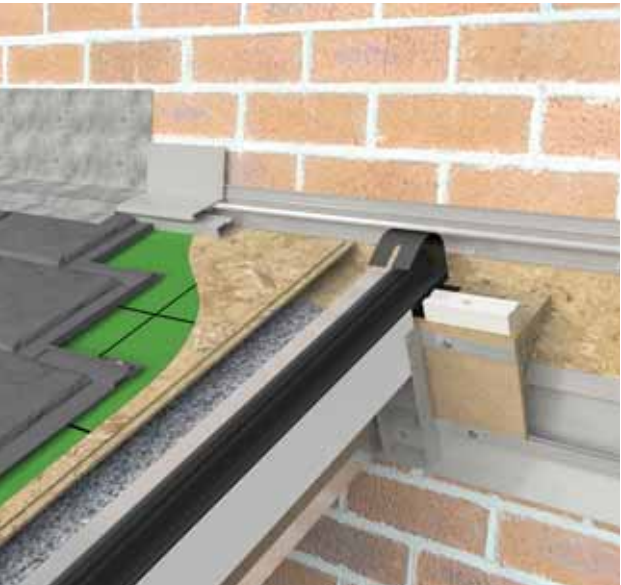
265mm box gutter glass



Tapered box gutter



Wallplate glass



Wallplate solid



Bars



Gable extended



Lean to roof gable end frame stiffener is **NOT** supplied as standard. Must be requested if required (for example above door openings). Please refer to Ultraframe if fitting bi-folds to gable ended or gable ends on lean-to roofs.

Lean to only

Lean to gable stiffener

FIRE SAFETY

The minimum fire performance rating required by Building Regulations for roofs is AC based on the following classifications.

FIRST LETTER

PENETRATION CLASSIFICATIONS

- A** Specimens not penetrated within 1 hour
- B** Specimens penetrated in not less than half hour
- C** Specimens penetrated in less than half hour
- D** Specimens penetrated in the preliminary flame test

SECOND LETTER

SPREAD OF FLAME CLASSIFICATIONS

- A** Specimens with no spread of flame
- B** Specimens with not more than 533mm spread of flame
- C** Specimens with more than 533mm spread of flame
- D** Specimens which continue to burn for 5 mins after the withdrawal of the test flame or spread more than 381mm in the preliminary test.

The assembled Ultrarroof has been independently fire tested by Exova Warrington Fire and has been rated AC

Certificates available to download <https://trade.ultraframe-conservatories.co.uk/trade/media/>
The full report is available on request from Ultraframe.

ROOF GLAZING

Select from INTEGRATED ROOF PANELS or VELUX ROOF WINDOWS (see separate guide for Velux).

NOTE: If the roof design incorporates a box gutter, the box gutter type chosen will dictate your glazing option. (See options and instances on p37-38).

INTEGRATED GLAZED PANEL POSITIONING

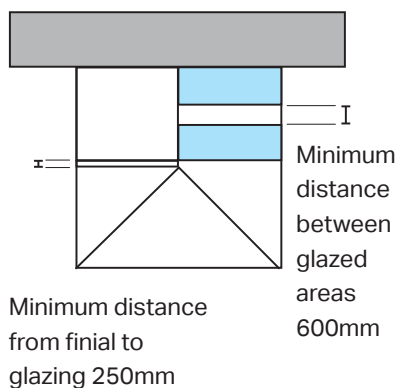
GLAZING AREA



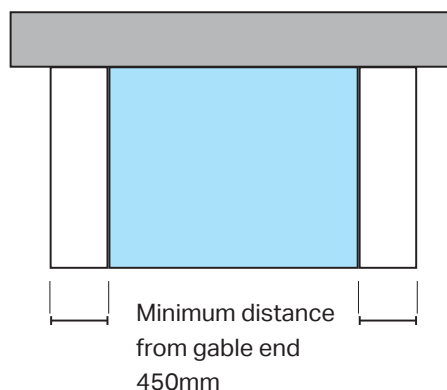
HOST WALL /
STRUCTURE



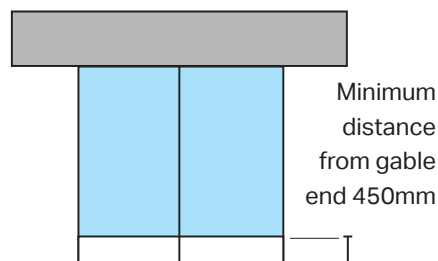
Georgian and Victorian



Lean-to



Gable



Glazing can be fitted immediately adjacent to the host wall or MUST be at least 364mm away from the host wall.

- Glazing area - bars must be a minimum of 300mm centres
- are spaced at a max 1000mm centres
 - multiple glass panels in series is possible. e.g. 1800mm glazed area in 3x 600mm or 2 x 900mm.

INTEGRATED GLAZING RULES

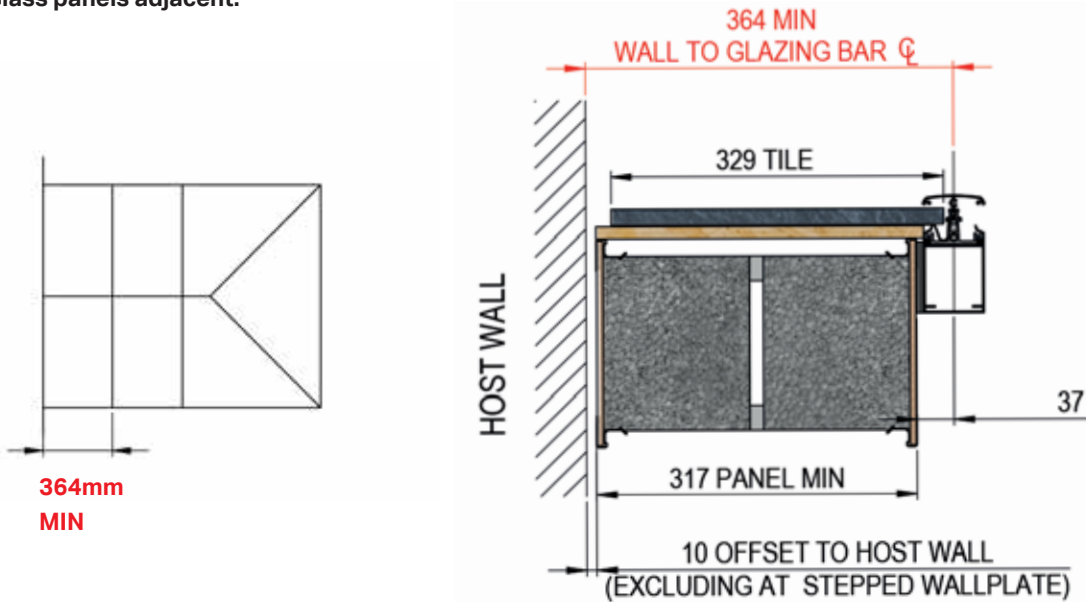
WHEN CAN YOU HAVE GLAZING?

GLAZING PANEL
 MAX 980mm
 (Bar centres 1000mm)
 up to an area of 2.4m²

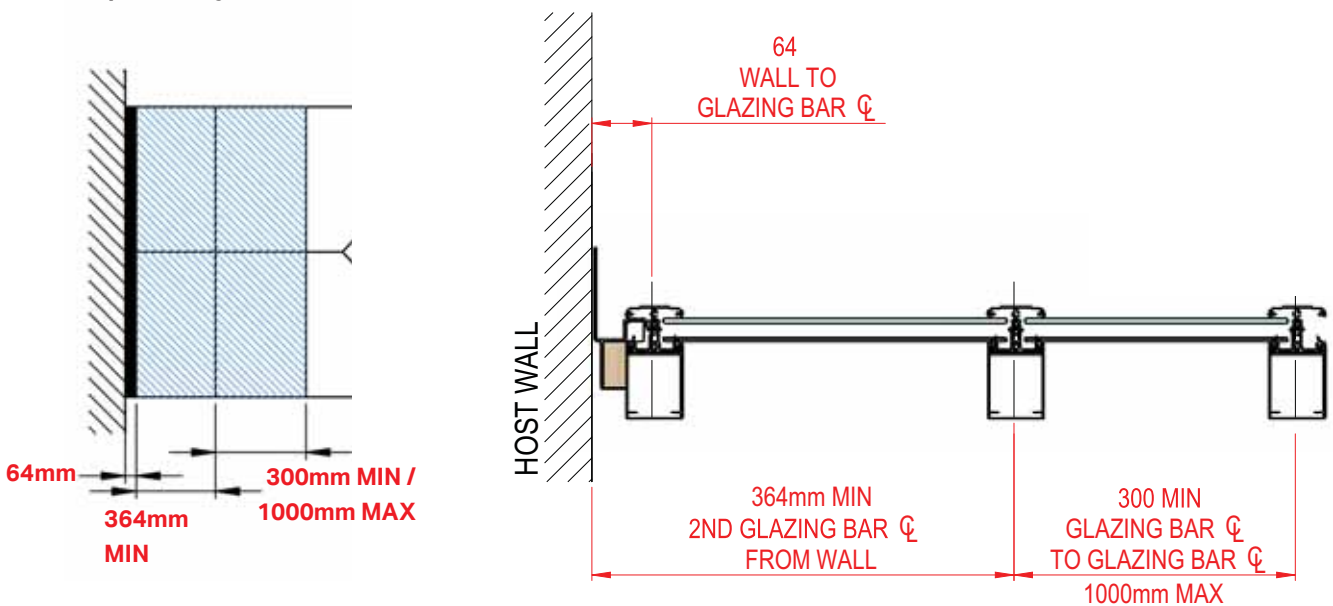


One of Ultrarroof's features is the ability to have fully glazed panels that span right from the ridge to the edge of the roof, allowing great amounts of light to enter a room. These glass panels can be arranged in all manner of ways and configurations to give the desired result for design of the roof. The following outlines the options for glazing in the different styles Ultrarroof.

**Solid panels at host wall.
 Glass panels adjacent.**

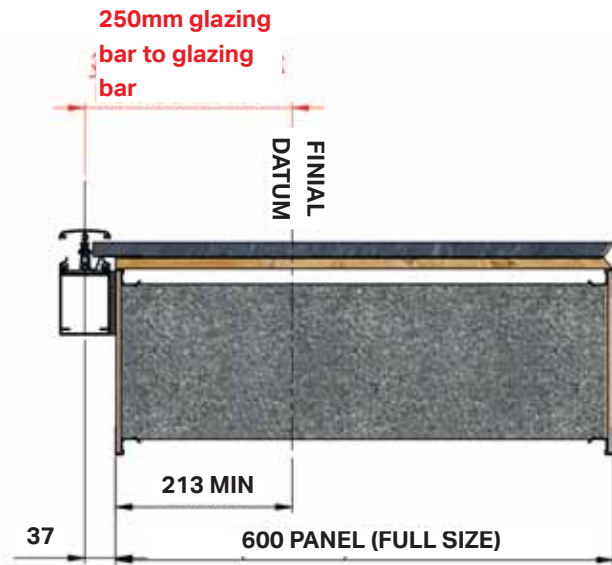
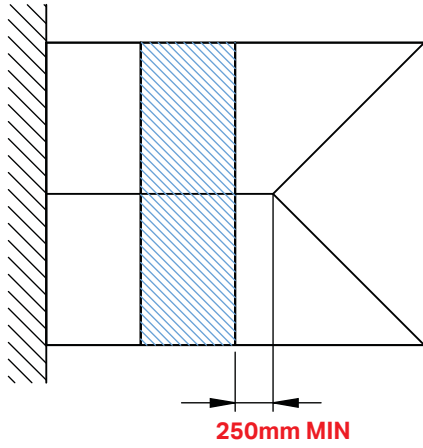


**Glass panels at host wall.
 Glass panels adjacent.**

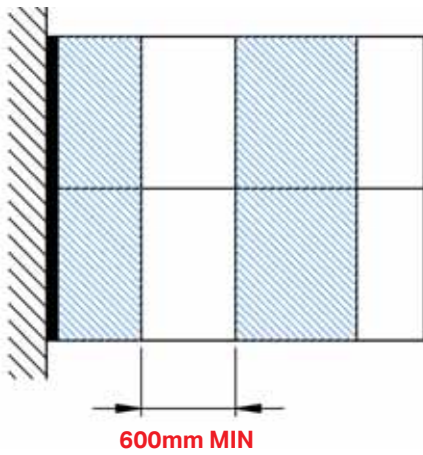


INTEGRATED GLAZING RULES

Glass from finial point



Solid panel between glass panels



INTEGRATED GLAZING RULES

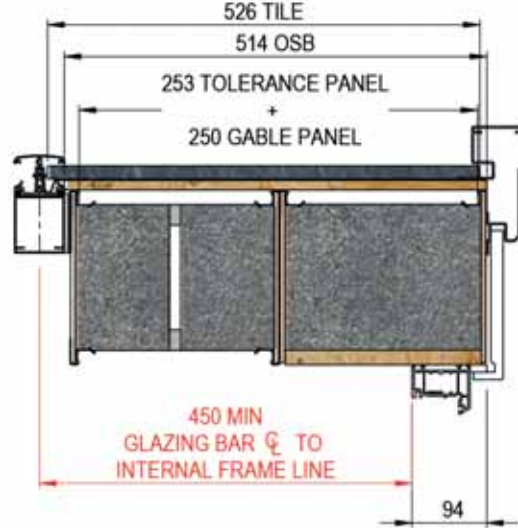
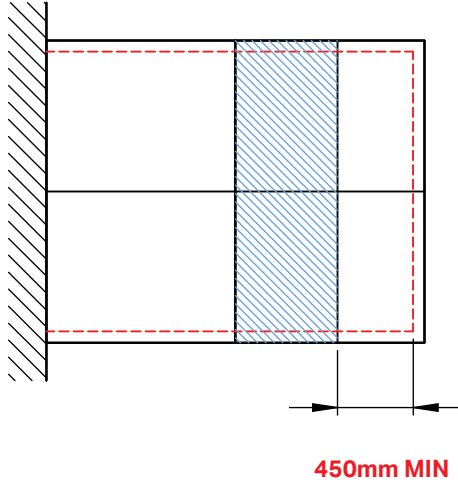
INTERNAL FRAME LINE



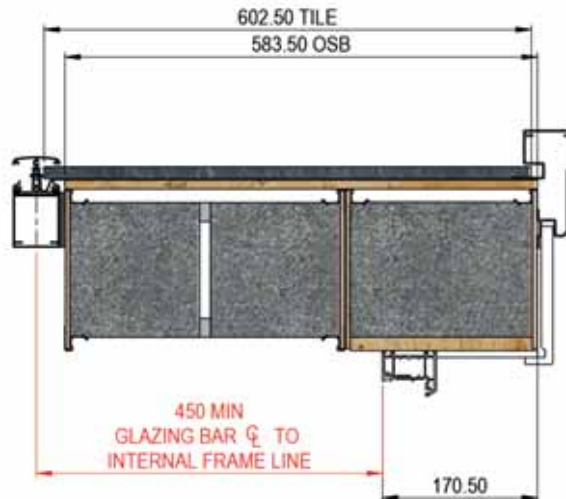
GLAZING PANEL
MAX 980mm
(Bar centres 1000mm)



Glass from gable end and lean to gable ends

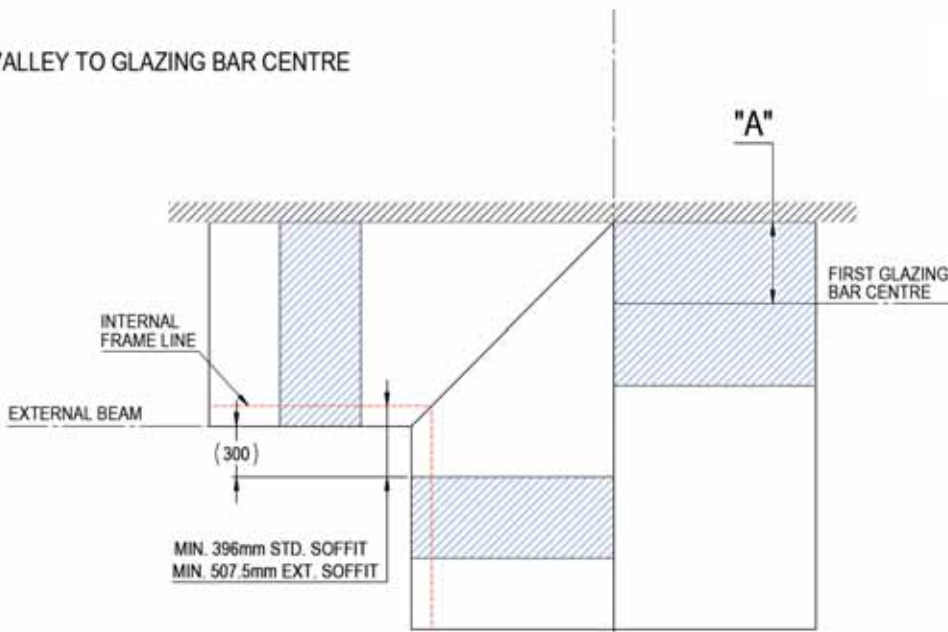


Gable roof with standard soffit



Gable roof with extended soffit

VALLEY TO GLAZING BAR CENTRE



GLASS ON FULL RIDGE OPPOSITE VALLEY

"A" = MINIMUM DISTANCE FROM HOST WALL TO FIRST GLAZING BAR CENTRE (ALSO COVERS MIN. WIDTH OF GLASS AGAINST HOST WALL, IF SPECIFIED)

IF PITCHES ARE EQUAL, OR IF PITCH OF LEAN-TO IS GREATER THAN THAT OF THE FULL-RIDGE, THEN "A" = 450mm

IF PITCH OF THE FULL-RIDGE IS GREATER THAN THAT OF THE LEAN-TO THEN SEE BELOW TABLE, BY PITCH DIFFERENTIAL -

PITCH DIFFERENTIAL	DIMENSION "A" MINIMUM
0-4.9	450
5-9.9	500
10-14.9	650
15-19.9	800
20-24.9	900
25 AND ABOVE	1100

CHOOSING APPROPRIATE BOX GUTTER AND SUPPORT

Some box gutters may need internal beam support (see page 38). If the customer wishes to change the box gutter type to avoid internal support, this may restrict the placement of the glass. On some roofs there may be a trade off between internal support and glass placement. Please read pages 43-54 and discuss this with the customer.

Use these pages to ensure you have a combination that works.
When replacing roofs with a box gutter see pages 82-86.

STANDARD BOX GUTTER

Up to 3200mm internal frame to internal frame. One additional support required located centrally (Gallows/brickwork pier). If doors or windows present support required on each side. Standard boxbeam needs structural support. When the box gutter exceeds 4m and additional support is required. See pages 43-54.

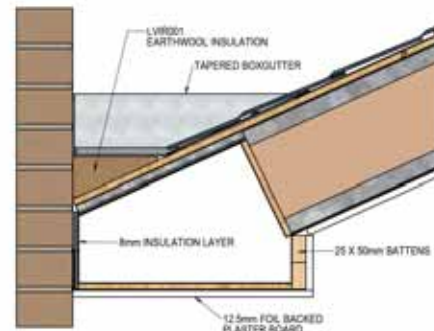
A



STANDARD TAPERED BOX GUTTER

When a tapered box gutter is used the box beam is always supported by a wall mounted angle bracket that runs along the length of the beam. This instance does not require structural support.

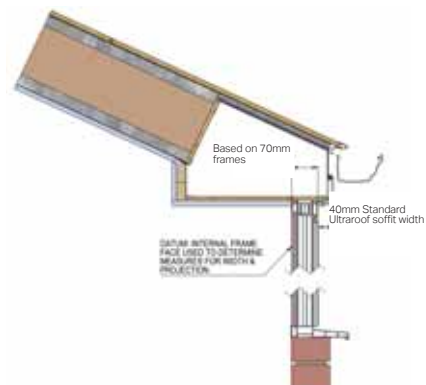
B



BOX BEAM ON WINDOW FRAME

The box beam is always supported by the window frame that runs along the length of the beam. This instance does not require structural support. The beam requires support every 4m. In addition to the frames. This support may come from either a frame coupler or corner post.

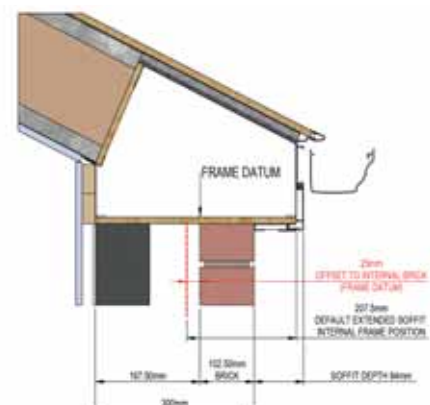
C



BOX BEAM ON BRICK WORK

The box beam is always supported by the brick work that runs along the length of the beam or window frames in openings in the brickwork. This instance does not require structural support.

D



CHOOSING APPROPRIATE BOX GUTTER AND SUPPORT

	Requires additional structural support (see options)	GLAZING top to bottom from ridge to box beam	VELUX dependent on roof size	Corner condition LEFT mirrored for right
	NO	YES	YES	A
	NO	NO	YES	B
	YES	YES	YES	A C/D
	NO	B = NO C/D = YES	YES	B C/D
	YES	A = YES (off ridge side only)	YES	A
	NO	NO	YES	B
	YES	A = YES B = NO	YES	B A

■ Host Wall
 ■ Box Beam
 ■ 265 box gutter
 ■ Tapered box gutter

MAXIMUM ROOF SIZES AND STRUCTURAL PERFORMANCE

All sizes relate to the internal window frame consistent with conservatory standard set out. The maximum unsupported beam span is 4m. Bi-folding doors MUST be bottom supported and not top hung.

The jointing of box beams (see p71-72) allow for larger/wider roofs providing appropriate structural support is in place. Always check with Ultraframe technical team for guidance.

Victorian/Gable/Georgian/Edwardian

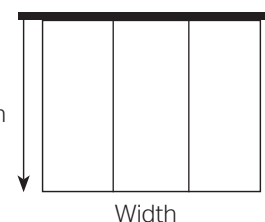
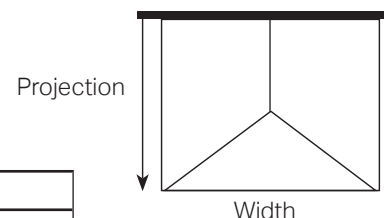
	Pitch 15° - 21°		Pitch 22° - 29°		Pitch 30° - 40°	
	Width (mm)	Projection (mm)	Width (mm)	Projection (mm)	Width (mm)	Projection (mm)
Max Size	6500	5000	6700	5000	6500	5000
At Loadings	Wind 1.35kN	Snow 0.7kN	Wind 1.5kN	Snow 0.89kN	Wind 1.65kN	Snow 0.8kN

Min ridge length = 200mm

Lean-to

	Pitch 12.5° - 29°		Pitch 30° - 40°	
	Width (mm)	Projection (mm)	Width (mm)	Projection (mm)
Max Size	6780	4500	6780	4000
At Loadings	Wind 1.4kN	Snow 0.75kN	Wind 1.15kN	Snow 0.75kN

Min half ridge length = 200mm



Hipped Lean-to

	Pitch 12.5° - 29°		Pitch 29° - 40°	
	Width (mm)	Projection (mm)	Width (mm)	Projection (mm)
Max Size	6780	3500	6780	3200
At Loadings	Wind 1.4kN	Snow 1.1kN	Wind 1.3kN	Snow 0.6kN

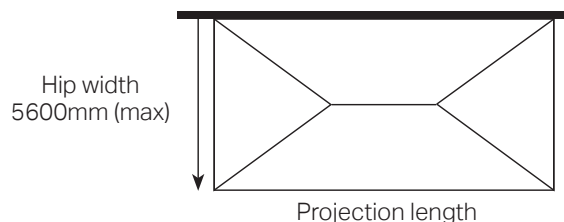
Min half ridge length on a single hip = 200mm

Min half ridge length on a double hip = 200mm

Double Hipped Georgian

	Pitch 15° - 29°		Pitch 30° - 40°	
	Hip Width (mm)	Projection Length (mm)	Width (mm)	Projection (mm)
Max Size	5600	No limits	4300	No limits
At Loadings	Wind 1.35kN	Snow 0.7kN	Wind 1.5kN	Snow 0.89kN

Min ridge length on a double hip = 400mm



USING THIS GUIDE TO DECIDE ON STRUCTURAL LOADS - WORKED EXAMPLE

The only accurate way to specify Ultrarroof is using U-Design software.

Either use a licensed copy of the software or send a sketch to Ultraframe or one of its approved trade intermediaries / distributors, where the information will be input on your behalf.

Worked Example

A 4m x 4m* Georgian conservatory at 25 degree is being re-roofed at the rear of a semi-detached property in the small market town of Clitheroe. The homeowner wants to know if they can have Velux roof windows and what size and how many.



Turn to page 39, the correct page for the style of extension (in this case Georgian) and use the chart that shows the pitch range (defined as 25° for this project). As the project is defined as 4m x 4m, look up the loading for this size which shows Ultrarroof can accept a load of 1.5kN/m² from wind and 0.89kN/m² from snow.

Now check how high above sea level the location is (Google search or try www.maps-streetview.com) – in this case it's 76m elevation above the sea level. As outlined in the worked example in red above, the location is in a small town (not the country).



Use figure 1, page 42 to check the wind speed at the location (in this case its 23 m/s which translates on table 1 to 0.68 kN/m²). From figure 2, page 42 check the snow load at the location (which is 0.6kN/m²).

Both figures at the actual site are within the design parameters of the Ultrarroof system, so it is OK to proceed with the project with no amendments.



And finally, to determine the number and size of Velux roof windows that can fit into this extension, refer to separate Velux guide for front elevation and side elevation to look up the vent opening sizes that can be configured into each elevation.

	Loads at postcode (kN/m²)	Max System Load (kN/m²)	System load MUST EQUAL or EXCEED post code load
SNOW	0.60	0.89	✓
WIND	0.68	1.5	✓

If you are unable to achieve the desired size for your Ultrarroof project please contact Ultraframe's Technical Support Team for advice on 01200 452 918

STRUCTURAL SPECIFICATION GUIDELINES

The size limitation for Ultrarroof is limited by the projects geographic location.

The location of each project will determine the imposed loads on the finished structure (both wind and snow loadings will have an impact). The size of these loads can be obtained from U-design software as the roof is being specified. U-design uses historic weather datafiles which from a postcode can provide both wind and snow loadings. If you do not have access to U-design the maps will help *guide* you to the approximate loadings. This will not give you exact values but ones likely to be the worst case for your location.

If you are unable to achieve the desired size for your Ultrarroof project please contact Ultraframe's Technical Support Team for advice on 01200 452918.

The Map in figure 1 (overleaf) shows the fundamental basic wind velocity map in v_b m/s. Find your approximate location and determine wind speed.

Now you need the height above sea level in metres - this information could be obtained via Ordnance Survey or Google Maps. Decide if your site is town or country.

Now use Table 1 Below to establish the load in kN/m^2 and finally, check with figure 2 to see the snow load.

Table 1 Max wind Load EC1-4-NA - $q(p)$ kN/m^2

Altitude		21.5	22	22.5	23	23.5	24	24.5	25	25.5	26	26.5	27	27.5	28	28.5	29	29.5
TOWN	50	0.55	0.57	0.60	0.62	0.65	0.68	0.71	0.74	0.77	0.80	0.83	0.86	0.89	0.92	0.96	0.99	1.03
	100	0.60	0.63	0.66	0.68	0.72	0.75	0.78	0.81	0.84	0.88	0.91	0.94	0.98	1.02	1.05	1.09	1.13
	150	0.65	0.68	0.72	0.75	0.78	0.82	0.85	0.88	0.92	0.96	0.99	1.03	1.07	1.11	1.15	1.19	1.23
	200	0.71	0.75	0.78	0.82	0.85	0.89	0.92	0.96	1.00	1.04	1.08	1.12	1.17	1.21	1.25	1.30	1.34
	250	0.77	0.81	0.85	0.88	0.92	0.96	1.00	1.04	1.09	1.13	1.17	1.22	1.26	1.31	1.36	1.41	1.46
	300	0.84	0.88	0.92	0.96	1.00	1.04	1.09	1.13	1.18	1.22	1.27	1.32	1.37	1.42	1.47	1.52	1.57
COUNTRY	50	0.63	0.66	0.69	0.72	0.75	0.78	0.81	0.85	0.88	0.92	0.95	0.99	1.03	1.06	1.10	1.14	1.18
	100	0.69	0.72	0.75	0.79	0.82	0.86	0.89	0.93	0.97	1.01	1.05	1.08	1.13	1.17	1.21	1.25	1.30
	150	0.75	0.79	0.82	0.86	0.90	0.94	0.98	1.02	1.06	1.10	1.14	1.19	1.23	1.28	1.32	1.37	1.42
	200	0.82	0.86	0.90	0.94	0.98	1.02	1.06	1.11	1.15	1.20	1.24	1.29	1.34	1.39	1.44	1.49	1.54
	250	0.89	0.93	0.97	1.02	1.06	1.11	1.15	1.20	1.25	1.30	1.35	1.40	1.45	1.51	1.56	1.62	1.67
	300	0.96	1.01	1.05	1.10	1.15	1.20	1.25	1.30	1.35	1.41	1.46	1.52	1.57	1.63	1.69	1.75	1.81

STRUCTURAL SPECIFICATION GUIDELINES

Figure 1

Fundamental basic wind velocity, $v_{b,map}$ in m/s

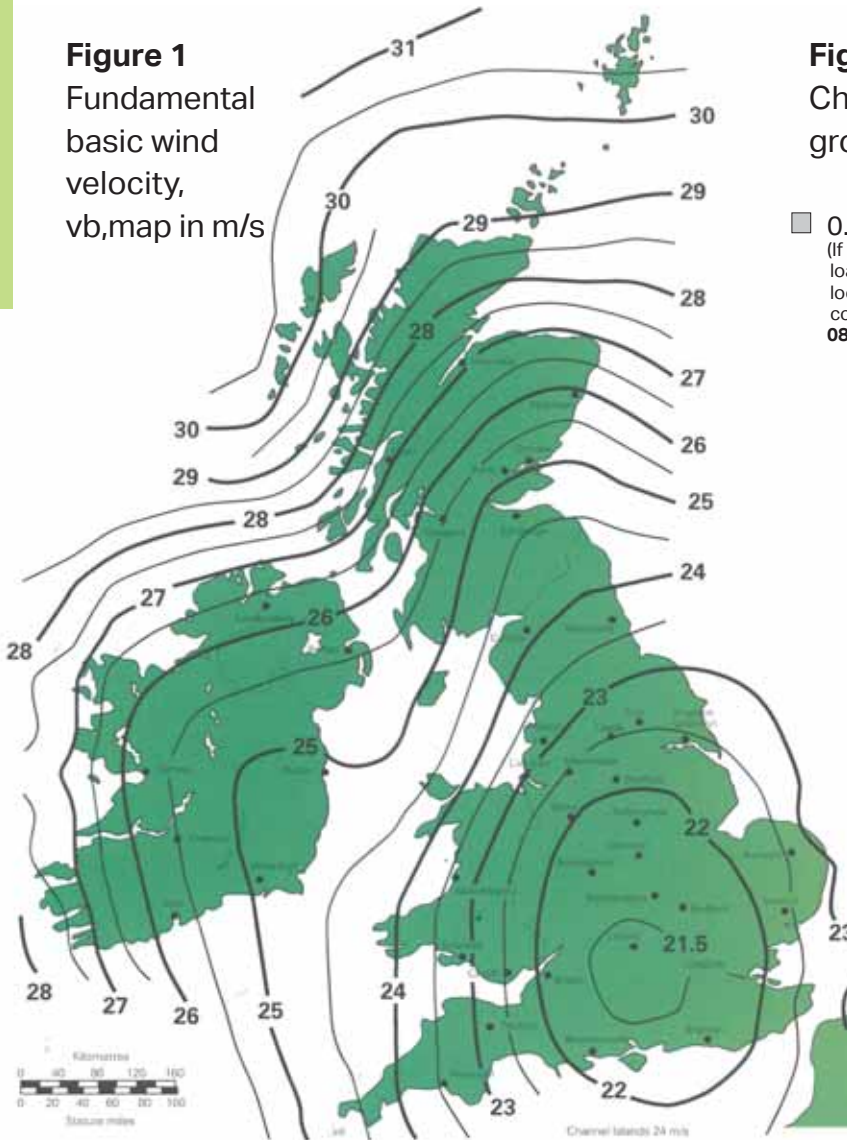


Figure 2

Characteristic ground snow load

■ 0.8 AREA.
(If in doubt about loadings at your location, please contact us on 0843 208 6930



* SOURCE: Euro Codes

↓
Remainder of UK = 0.6

IMPORTANT - NOTE 1

The installer is responsible for ensuring that where Ultrarof is supported by means such as timber frame walls, the structure provides enough lateral support and resistance to wind uplift. Further guidance can be obtained through this guides technical documentation. Ultraframe cannot be responsible for the structural adequacy of any existing building work used as part of an overall conversion. While assistance is provided, ultimate responsibility to secure Building Regulations lies with the retail installer.

IF IN DOUBT ABOUT STRUCTURAL COMPLIANCE, PLEASE CONSULT LABC, JHAI OR A STRUCTURAL ENGINEER

IMPORTANT - NOTE 2

This guide is intended to provide indicative information and to help you understand the design principles and applicable loadings. U-Design is the final arbiter on price and specification decisions.

IMPORTANT - NOTE 3

The Ultrarof components have been designed and manufactured to meet the specification of each individual job. Any significant on site modifications particularly relating to the repositioning of any structural members will invalidate the product's warranty and compromise the structure's integrity. If adjustments are required due to site conditions please consult Ultraframe.

STRUCTURAL SUPPORT & WHEN IT IS REQUIRED

Structural support is a vital consideration when designing the Ultrarroof. This document highlights the many variations and options available when adding structural support and crucially determining when and how it should be used. Support is needed in order to create roofs of various sizes, allow for various obstacles/intrusions and to fit into its designed space effectively.

If there is nothing in this document that relates to your situation then please contact our team and we can assist in working out a solution. Alternatively, contact a qualified structural engineer.

Ultrarroof has a series of styles and shapes that have to be supported by the box beam which in turn must be supported by window frames or connections to the host wall. When a beam is in a position where it can no longer support itself, extra structural support is needed.

The instances where beams need structural support are as follows:

BEAM SUPPORT

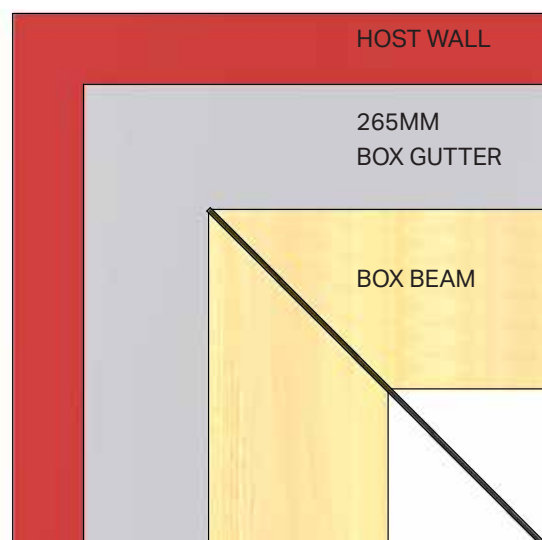
A beam must be supported at both ends either by frames or masonry. The maximum unsupported span of a beam is 4m. See pages 44-54 for various support methods.



A BOX BEAM DOES NOT CONTACT THE HOST WALL

When a beam is not supported by the host wall via a bracket of any kind, then the beam needs additional structural support.

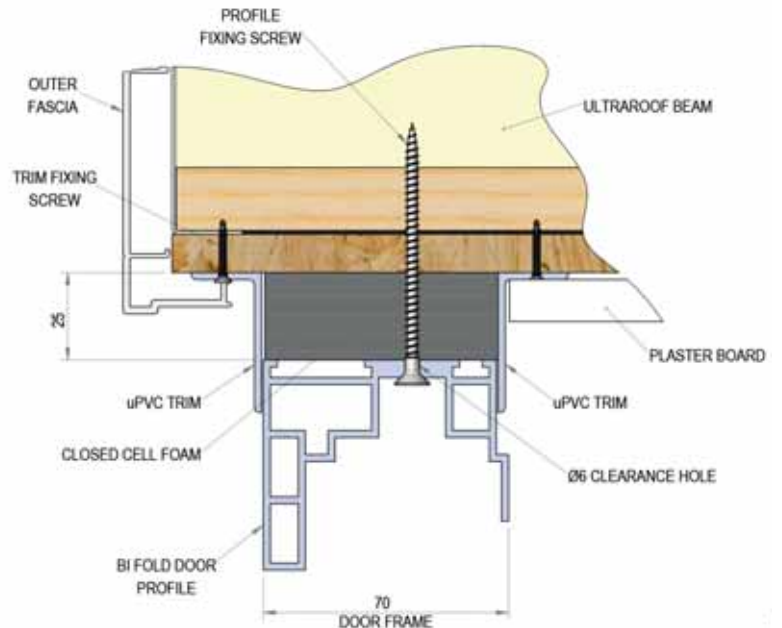
In this example, the box beam does not interact with the host wall and needs structural support from below.



UNSUPPORTED SPANS

Adjusting Door Frame Heights

Ultrarroof is capable of unsupported spans up to 4m in width. There is a slight natural deflection in the beam. The height of sliding or bi-fold doors that are positioned under the unsupported span should be smaller in height than the supporting structure. This will ensure the roof eaves beam does not cause the head of the door frame to bend and prevent the door from operating correctly. The height of the doors should be 15mm smaller than the masonry or frames supporting the roof. This will accommodate the worst case scenario for the deflection of the beam. You may wish to add another 10mm deduction in height to account for building tolerances and frame manufacture. Fixed glazing in sliding doors does not offer structural support, posts aligned with mullions should be used to support the roof if sliding doors exceed 4m in width (see next page).



Final fixing to the head of the door should be completed after building the roof. Packers can be inserted between the head of the door frame and the underside of the roof box beam, fixing the head of the frame to the roof underside of the box beam. You should ensure the roof box beam is not causing deflection in the door frame. An L shaped trim can be fixed to the underside of the roof box beam to allow slight movement whilst cloaking the gap between the roof box beam and the head of the door frame, see above.

Support of the Roof on Ribbon Windows

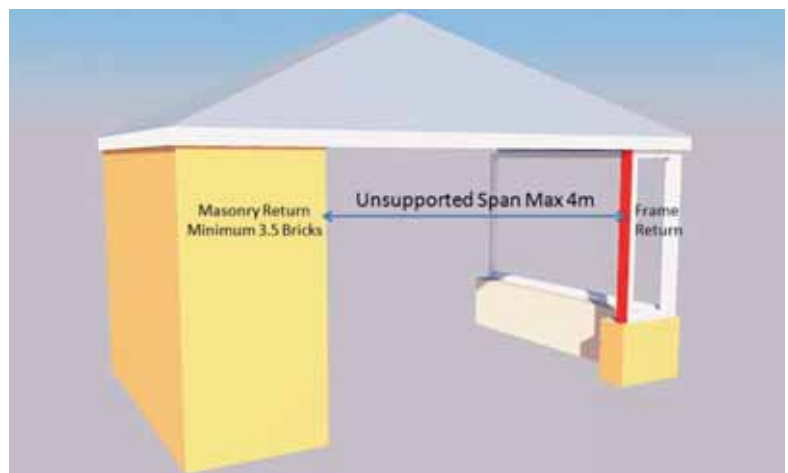
Corner posts should include reinforcing and structural couplers placed between frame runs that exceed 2.5m. All PVCu cills reinforced. Where existing frames are retained internal structural posts should be used to provide vertical support within 2.5m from corner posts (see next page).

Support of the roof on brickwork or super insulated columns

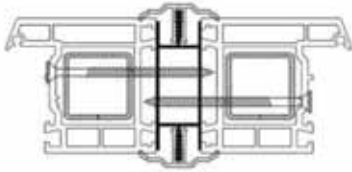
Masonry returns should have a minimum width of 3.5 bricks adjacent to unsupported spans, approximately 777mm in width. **NOTE: for smaller brickwork returns, a 100mm square wind post may be used (see page 46).**

Full height frames or frames supported on walls must include either a structural frame coupler or a reinforced corner post connecting the window frame to the door under the unsupported span (see next page).

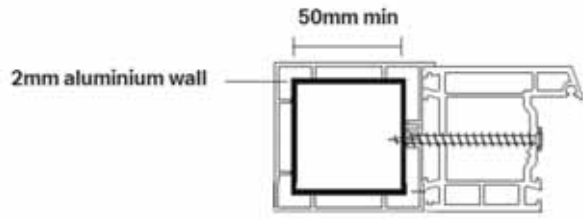
Please ensure the roof is adequately propped during construction to eliminate twist or unnecessary deflection to the roof box beam. See the installation guide for more details on propping.



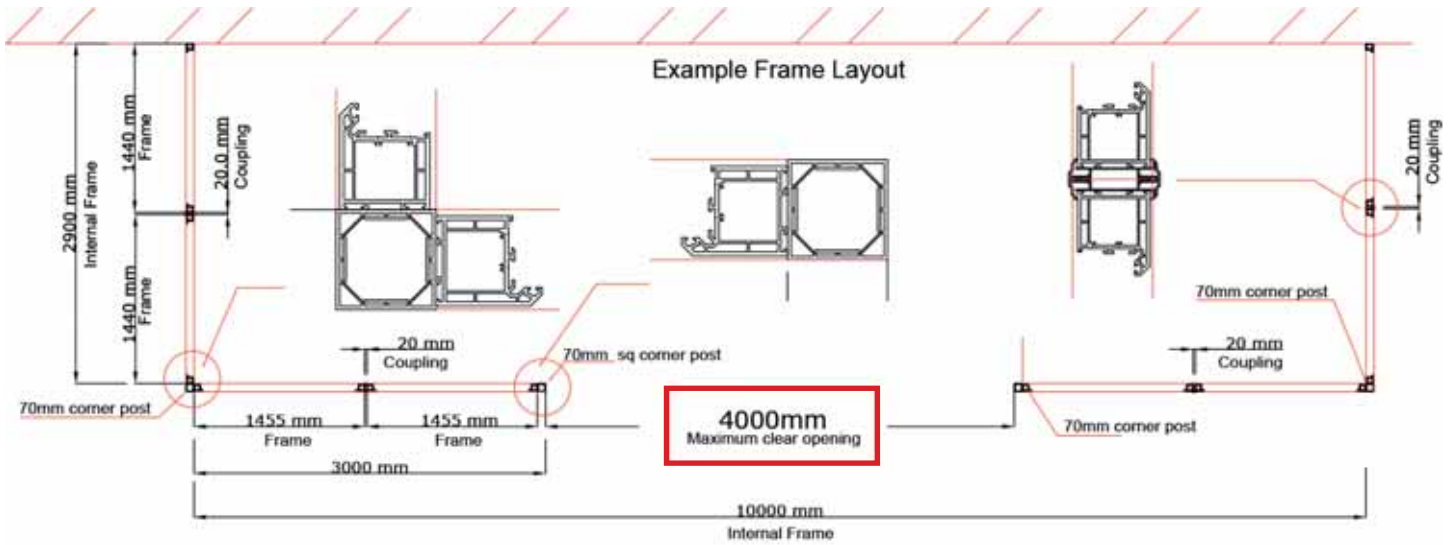
UNSUPPORTED SPANS



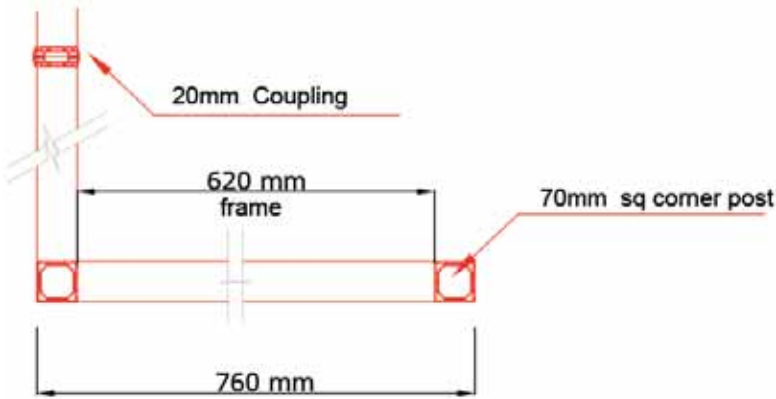
Frame Coupler Adjacent to Unsupported Spans



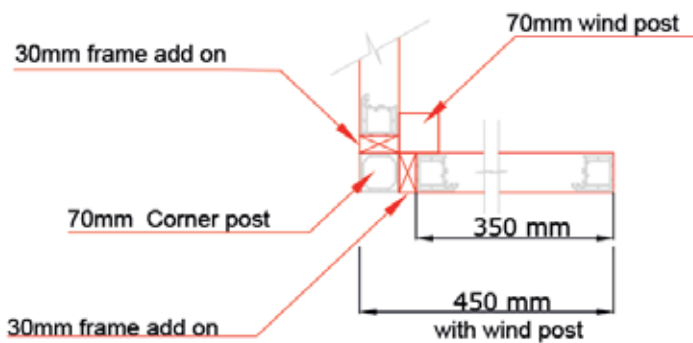
Corner Post Frames Adjacent to Unsupported Spans



UNSUPPORTED SPANS

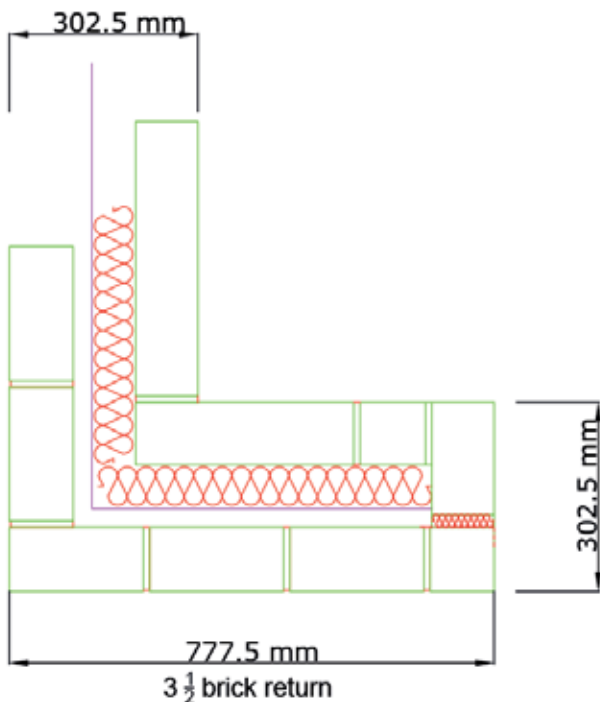


Minimum Frame Return Detail
(When adjacent/in line with 4m unsupported span)

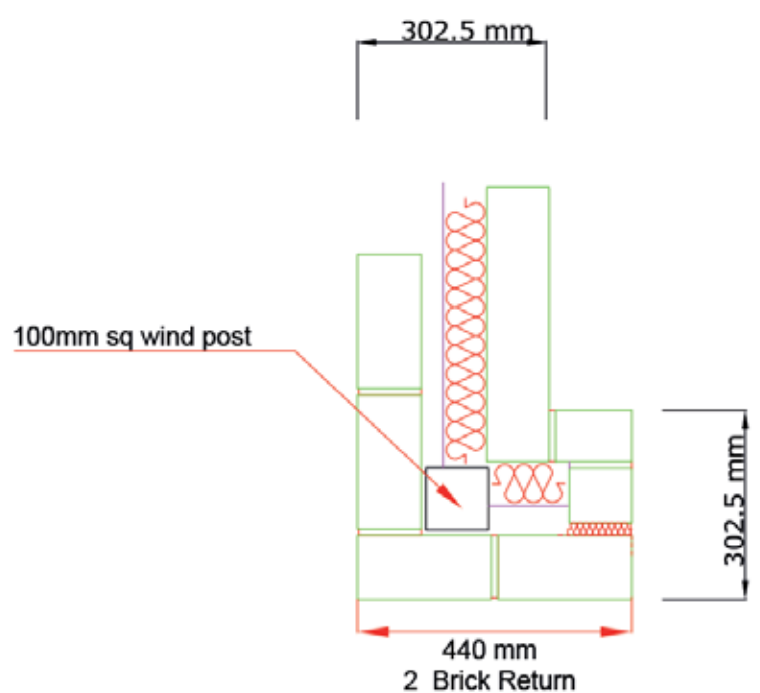


Minimum Frame Return Detail with wind post
(When adjacent/in line with 4m unsupported span)

If no frame return, a structural goalpost must be used.



Minimum Brick Return without Wind Post



Minimum Brick Return with Wind Post

(When adjacent/in line with 4m unsupported span)

Recommended Brick Return

Note: Super Insulated Columns must incorporate 100mm sq wind post

STANDARD SUPPORT FOR TAPERED BOXGUTTERS

When a tapered box gutter is used, the standard support for the beam is an angle bracket that is fixed to the house wall running along the length of the beam. Tapered box gutters use this support in all instances and do not require any additional structural support. (Unless being used to replace existing box gutters, see page 81-85)

STANDARD SUPPORT FOR STANDARD BOX BEAM

BOX BEAM WALL BRACKET SUPPORT (BOX BEAM END ABUTTING A WALL)

(NRW001)

First box beam brackets are fixed to the host wall in position. Beams with pre cut openings then locate on the positioned brackets.



BOX BEAM ANGLED WALL BRACKET

(NRPA---/5)

90° angle bracket is fixed to the wall to accommodate the full length of the box beam. This support acts as structural support, no other support required in any instance (along the length of this beam).



PANEL ANGLED WALL BRACKETS

(RRS---/8)

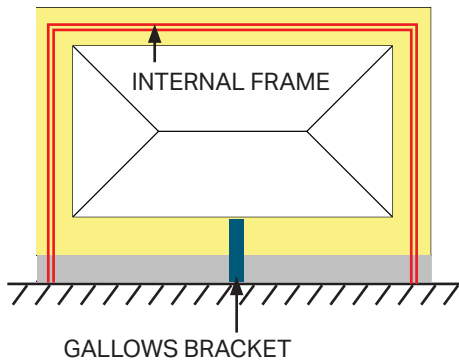
Variable angled bracket is fixed to the wall to accommodate the full length of the panel being fitted to the wall. This support replaces the beam and acts as structural support, no other support required in any instance (along the length of the panel). Only used for intrusions.



BOX BEAM STRUCTURAL SUPPORT FOR 265MM BOX GUTTER

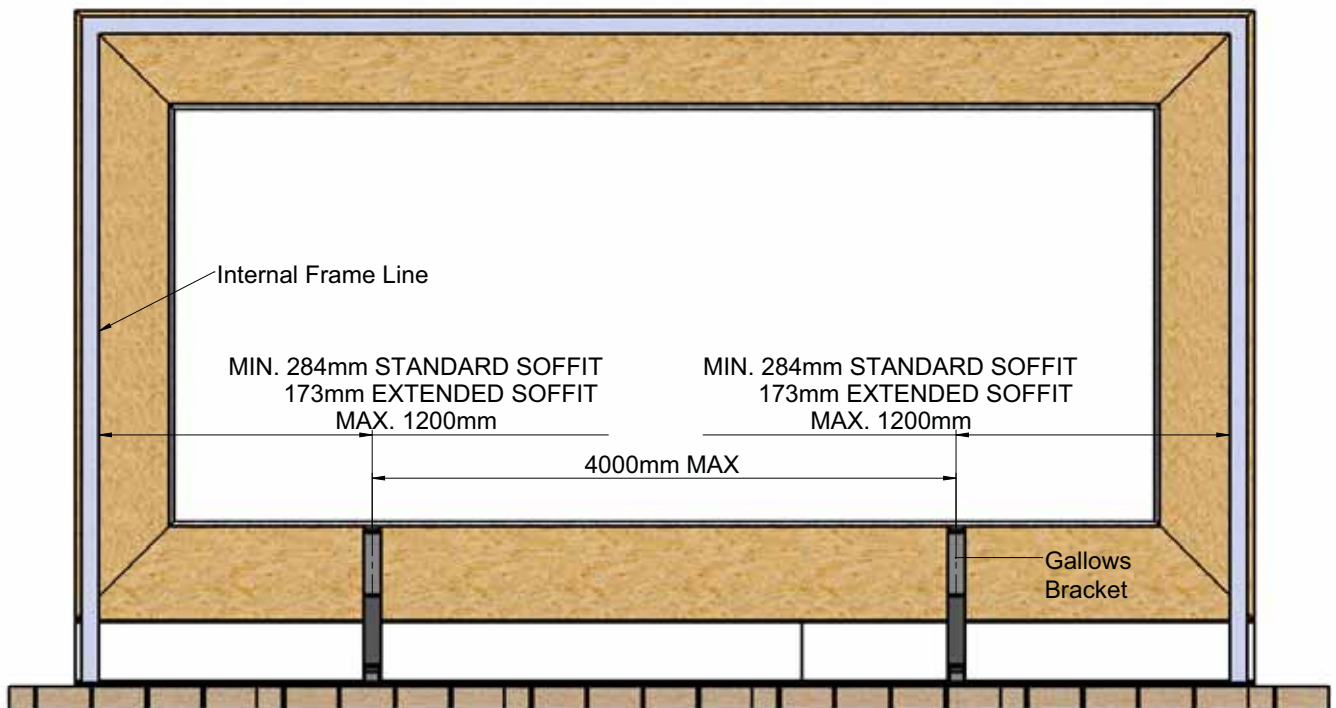
The gallows brackets can be arranged in a corner situation when both beams need to be supported. The bracket can be clad in plasterboard. Full width of box beam requires support gallows bracket 645mm from host wall to end of bracket.

STRUCTURAL SUPPORT IS REQUIRED FOR BOX BEAM WHEN ADJACENT TO A 265MM BOXGUTTER



All box beams that support a 265mm fabricated box gutter must be supported by means of gallows brackets, posts or brick piers. Min/max. dimensions from internal frame stated below.

- Up to 3200mm internal frame to internal frame
 1 - centrally located gallows bracket post or pier
 or
 2 - one either side of door or window opening, above 3200mm internal frame to internal frame (as below).



NOTE: Against full height vertical walls, a tapered box gutter would be recommended.

NOTE: Integrated glass units can only be specified if using 265mm box gutter. Velux must be used if tapered box gutter.

STRUCTURAL SUPPORT - GALLOWS BRACKET - BUNGALOW SITUATION

The aluminium gallows bracket provides support to box beams. It covers both standard situations and extended soffit roofs. Ordered as standard size it covers the width of the box beam and box gutter. Extended gallows brackets can also be ordered.

OPTION 1

Box beam supported on standard gallows bracket shown under a bungalow soffit. To maximum soffit width of 100mm.



OPTION 2

The standard bracket may be cut back 100mm to suit fitting to a vertical wall (end cap provided).



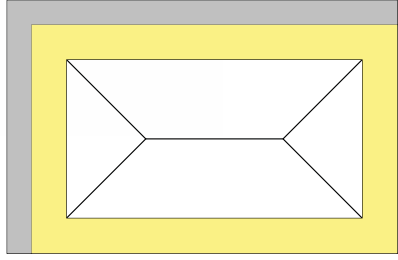
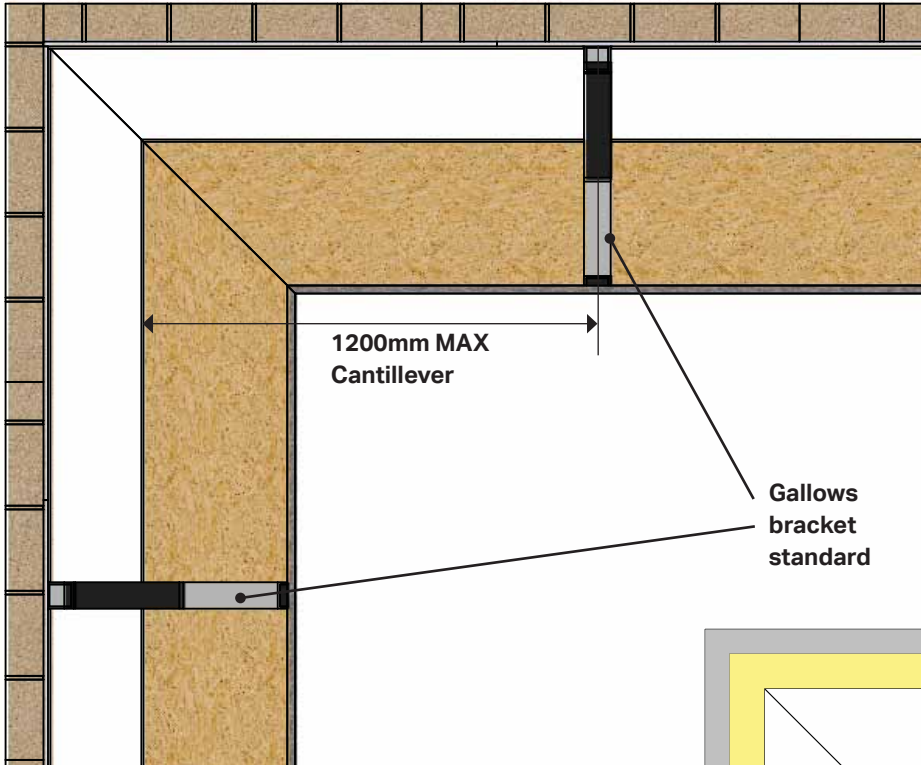
OPTION 3

The bracket can be made to a bespoke size to accommodate for different size situations, but it has its limits. It can be made any size within 645mm – 1195mm. The largest soffit size a gallows bracket can cover is 550mm, anything larger then a custom bracket has to be made to suit. The bracket must cover the full depth of the beam and box gutter and any soffit (if applicable).



GALLOWS BRACKET - CORNER

The gallows brackets can be arranged in a corner situation when both beams need to be supported. The bracket can be clad in plasterboard. Full width of box beam requires support gallows bracket 645mm from host wall to end of bracket (see page 49).

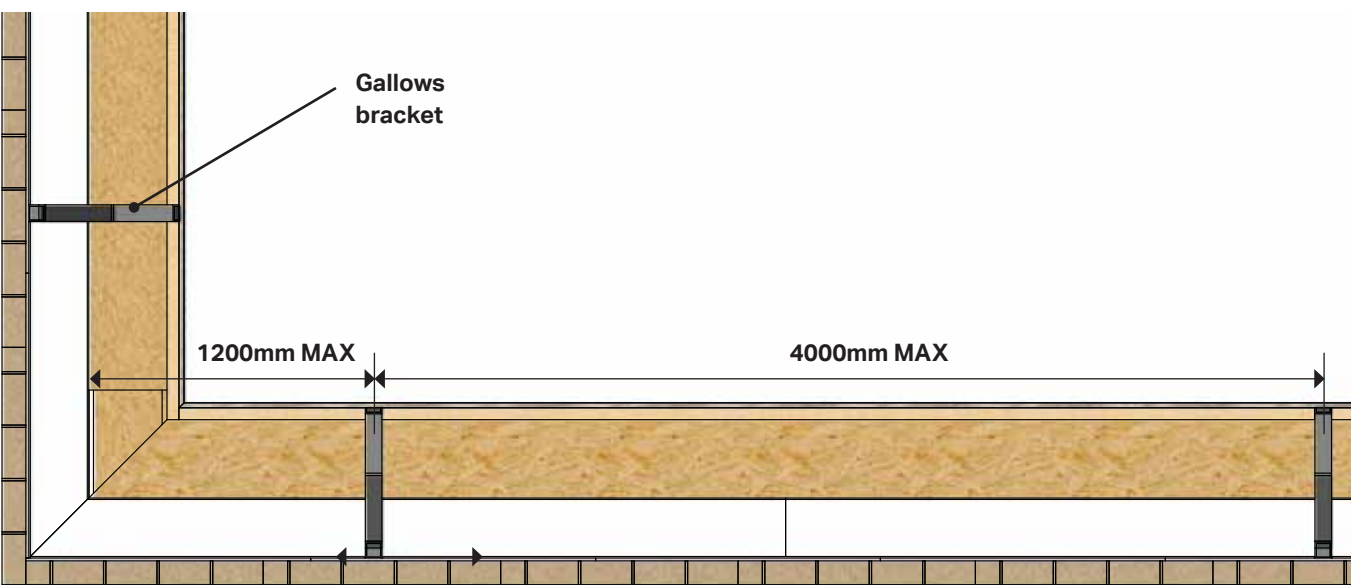


RULES

- Maximum cantilever of 1200mm
- Gallows bracket must cover full width (box beam and box gutter width 645mm) plus any soffit on a bungalow (max bungalow soffit size 550mm).

GALLOWS BRACKET - INTERMEDIATE

The distance between gallows brackets and other supports should not exceed 4000mm.

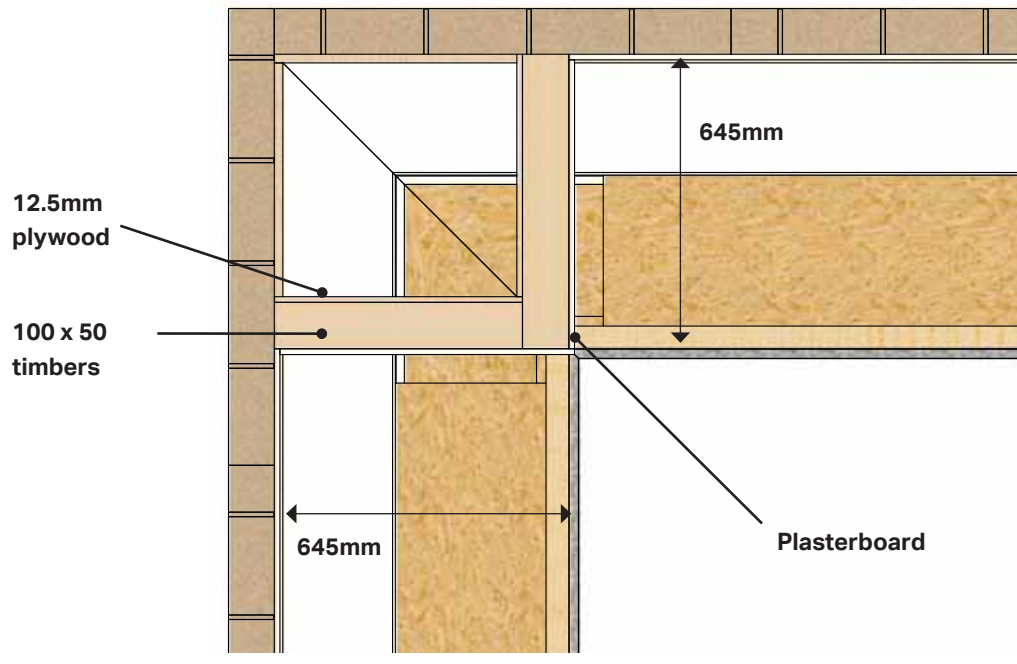


STRUCTURAL SUPPORT - TIMBER STUD WORK

The simple and most available method of support is timber stud walling. It is quick to put up and gives a good finish.

TIMBER COLUMN SUPPORT

The timber column is 645 x 645mm, boarded internally with 12.5mm plywood and then plaster boarded on the exterior. Its compact structure makes it a neat finish in the corner of the room while providing structural support.



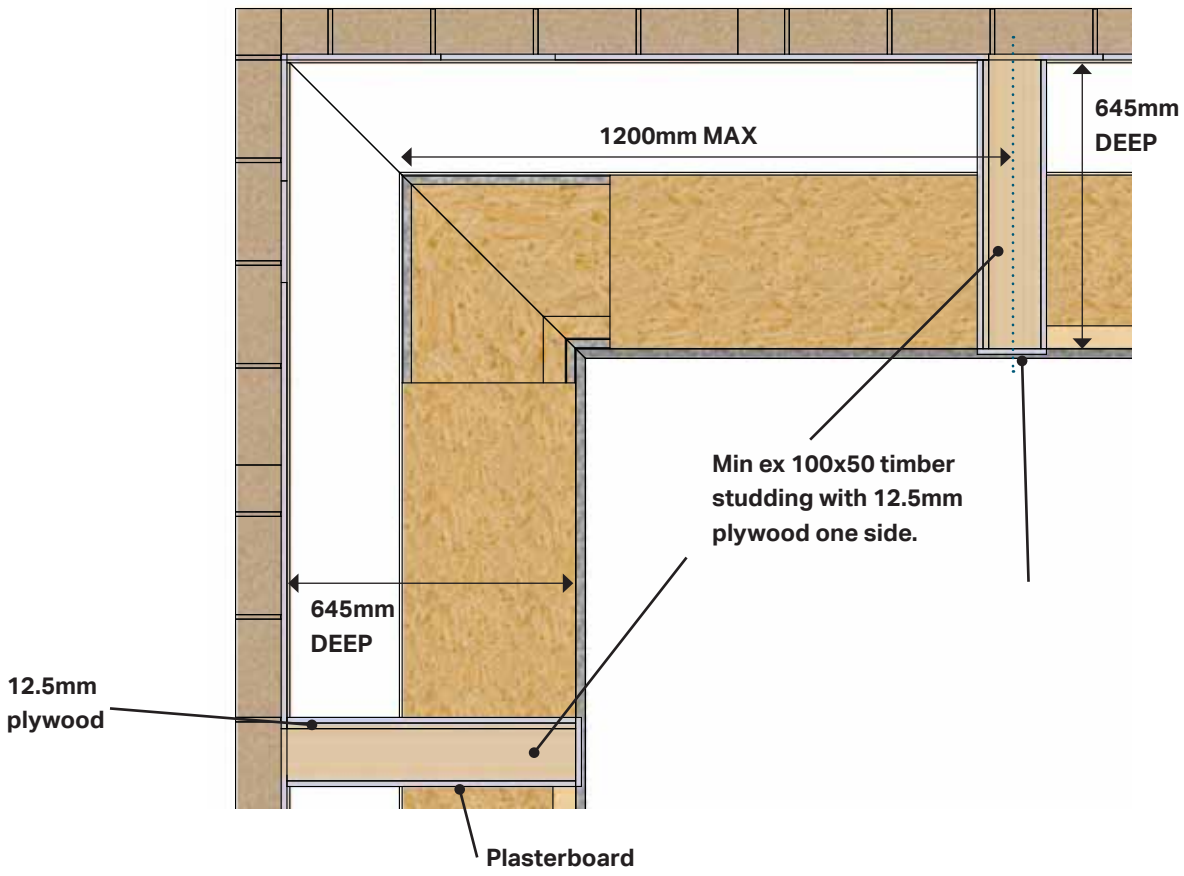
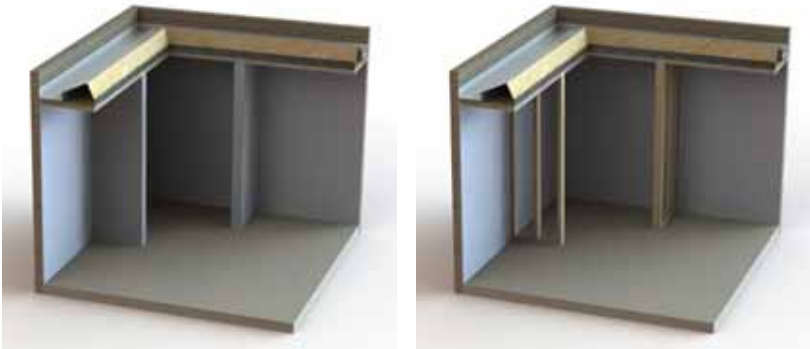
RULES

- Stud wall must cover full width (box beam and box gutter width 645mm)

STRUCTURAL SUPPORT - TIMBER STUD WORK

TIMBER CORNER SUPPORT

The timber corner supports are simple stud walls, 645mm deep that support the box beam. Each wall is boarded with 12.5mm plywood and then finished with plasterboard to its exterior.



RULES

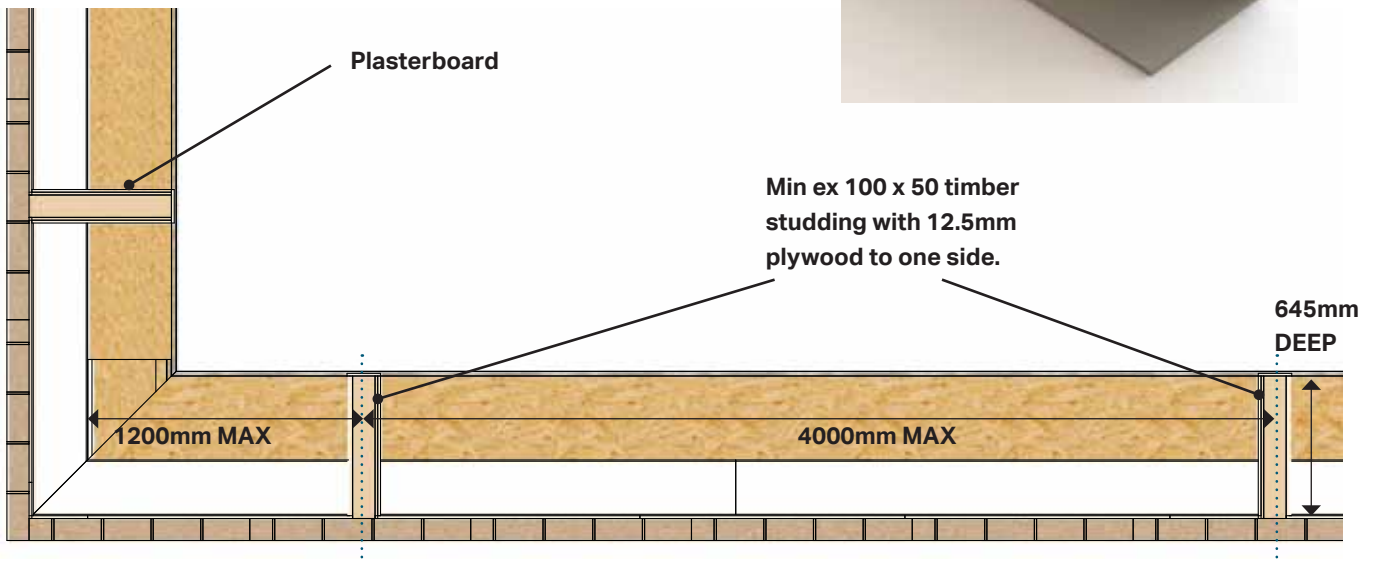
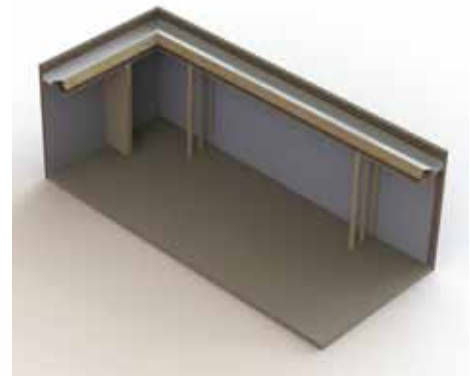
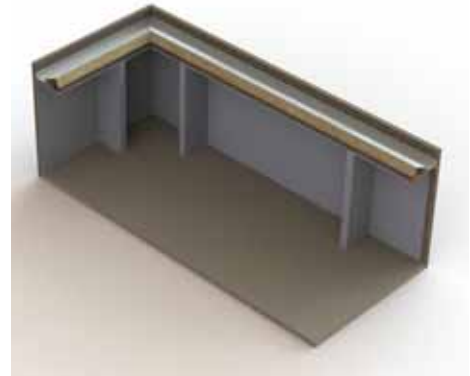
- Maximum cantilever 1,200mm
- Stud wall must cover full width (box beam and box gutter width 645mm)

STRUCTURAL SUPPORT - TIMBER STUD WORK - INTERMEDIATE

The simple and most available method of support is timber stud walling. It is quick to put up and gives a good finish when using plasterboard.

TIMBER INTERMEDIATE SUPPORT

Intermediate supports are appropriate when the box beam extends longer than 4000mm along its length before reaching the next structural support at a corner. An intermediate support is placed. A maximum of 4000mm from the previous support to carry the box beam.

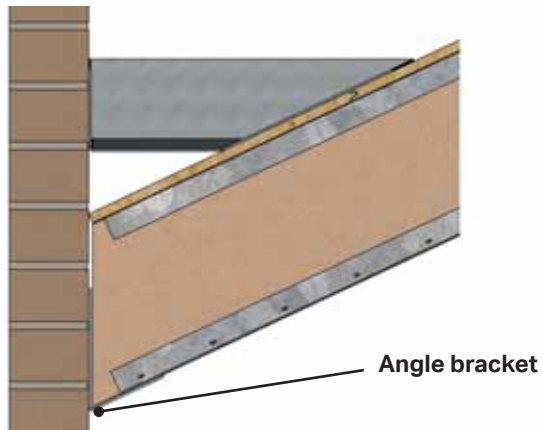


INTRUSIONS

In some cases a roof may have to accommodate intrusions into the footprint of the roof, these are such things as chimney breasts. In this situation, the panel is adapted around the intrusion and a tapered box gutter is used. This creates many configurations of box gutters that allow water to drain away effectively.

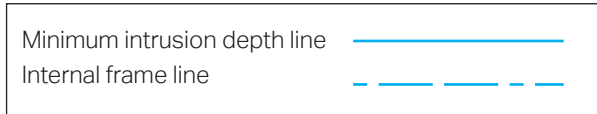
INTRUSION TAPERED BOX GUTTER

The panel is always supported by a wall mounted angle bracket that runs along the length of the intrusion. This instance does not require any additional structural support.

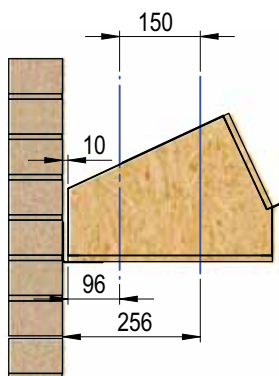


MINIMUM INTRUSION SIZES

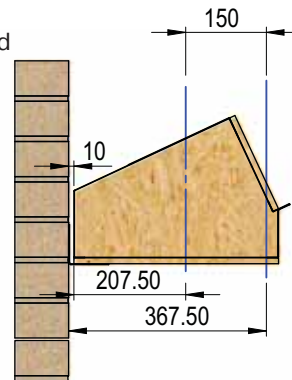
The tapered box gutter above the intrusion panel will always follow the tapered box gutter rules. However where the tapered box gutter meets the box beam, there are many variables to consider.



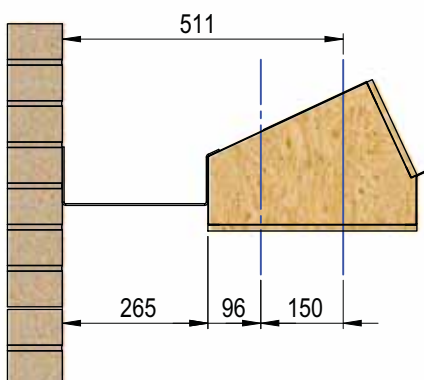
A Intrusion standard



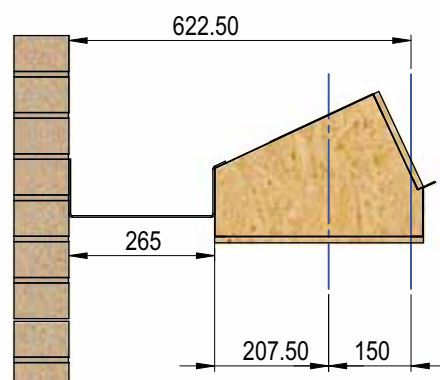
B Intrusion extended



C 265 standard intrusions



D 265 extended intrusion

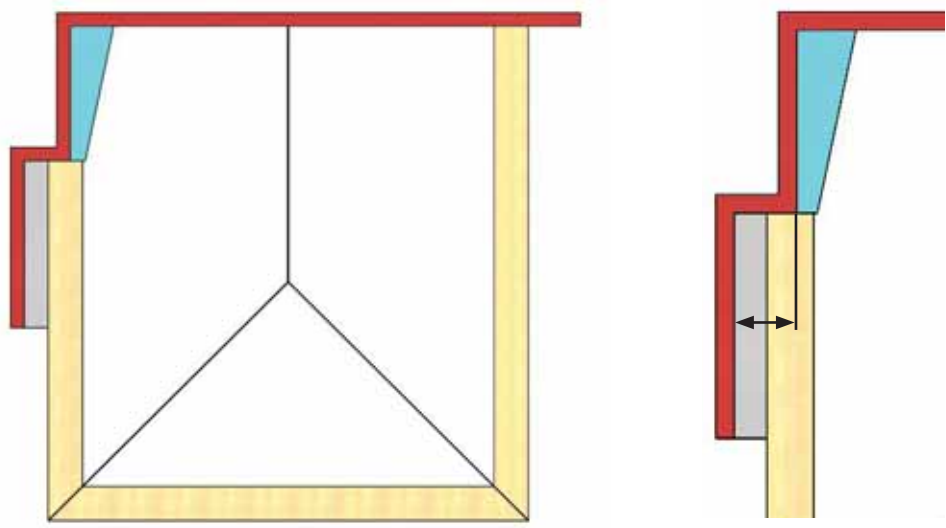


NOTE: see plan views on page 56

INTRUSIONS

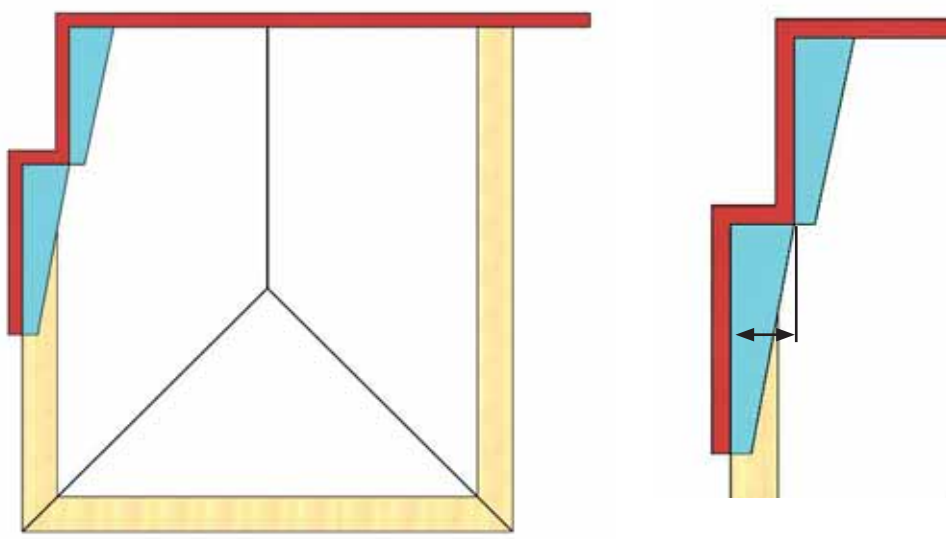
There are options for what kind of box gutter (265mm or tapered box gutter) the intrusion will run into, these follow the minimum intrusion size rules (see page 55).

TAPERED JOINING STANDARD



- C 511mm MIN INTRUSION**
- D 622.5mm EXTENDED SOFFIT WITH MIN INTRUSION**

TAPERED JOINING TAPERED



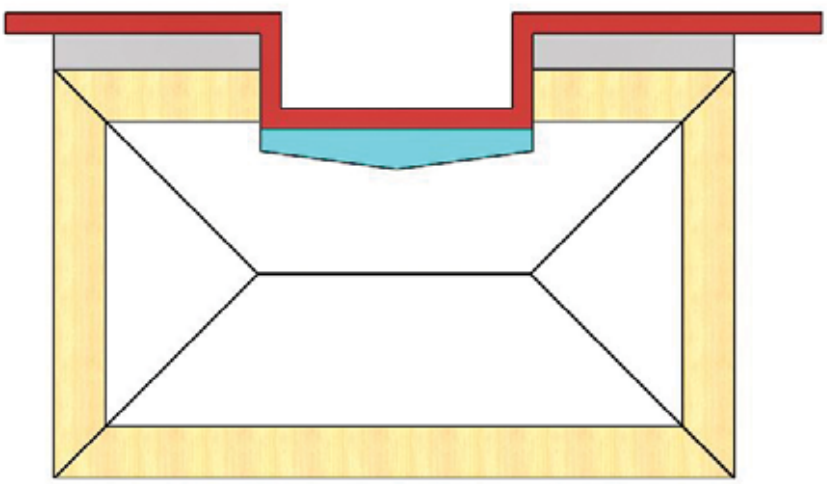
- A 256mm MIN INTRUSION**
- B 367.5mm EXTENDED SOFFIT WITH MIN INTRUSION**

KEY			
	HOST WALL		BEAMS
	TAPERED BOXGUTTER		BOXGUTTER

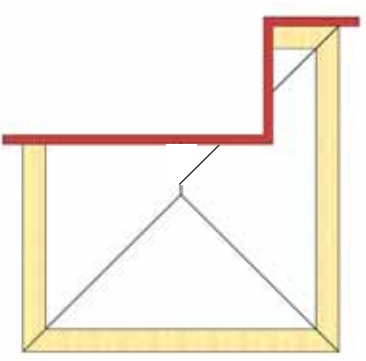
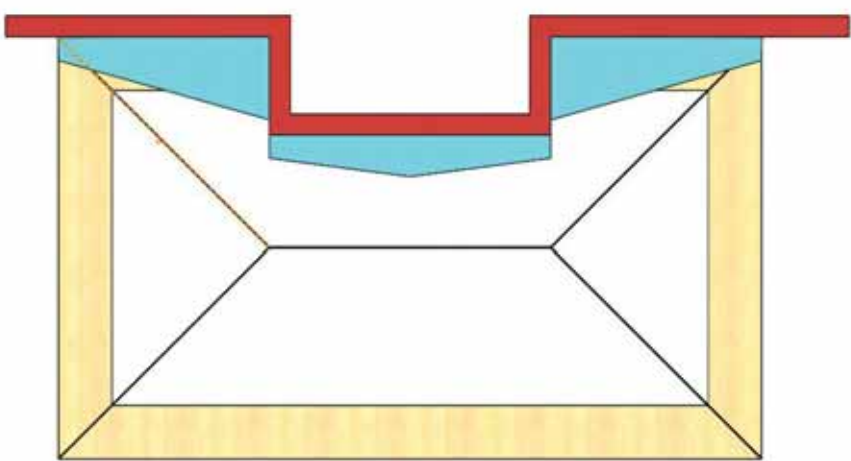
CENTRAL INTRUSIONS

Examples following rules on page 55.

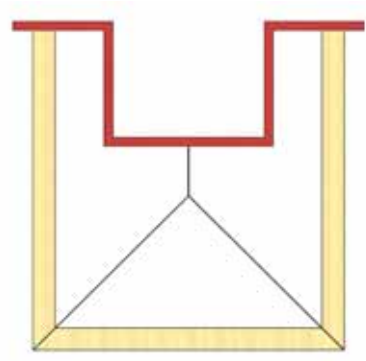
TAPERED JOINING STANDARD



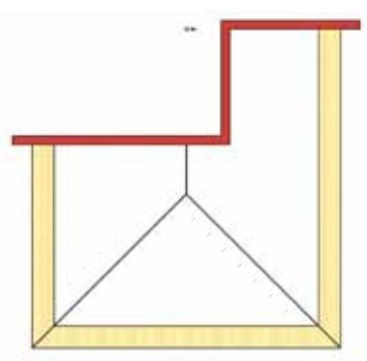
TAPERED JOINING TAPERED



Double hipped georgian intrusion







Georgian central intrusion



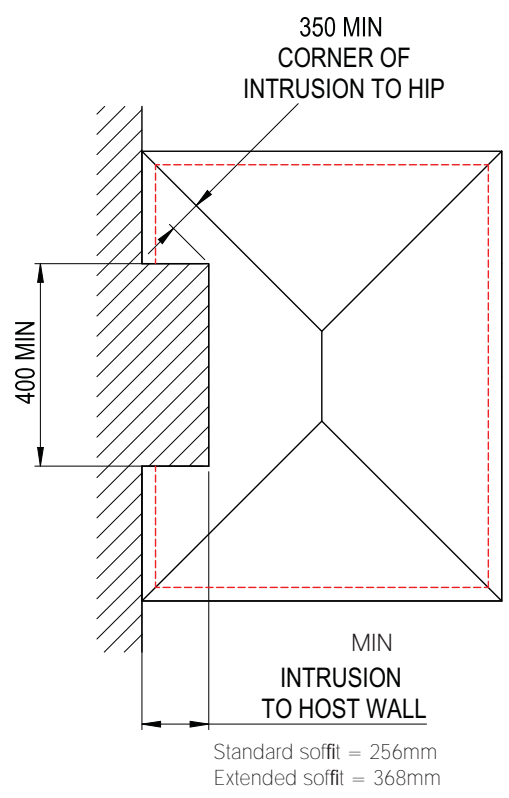
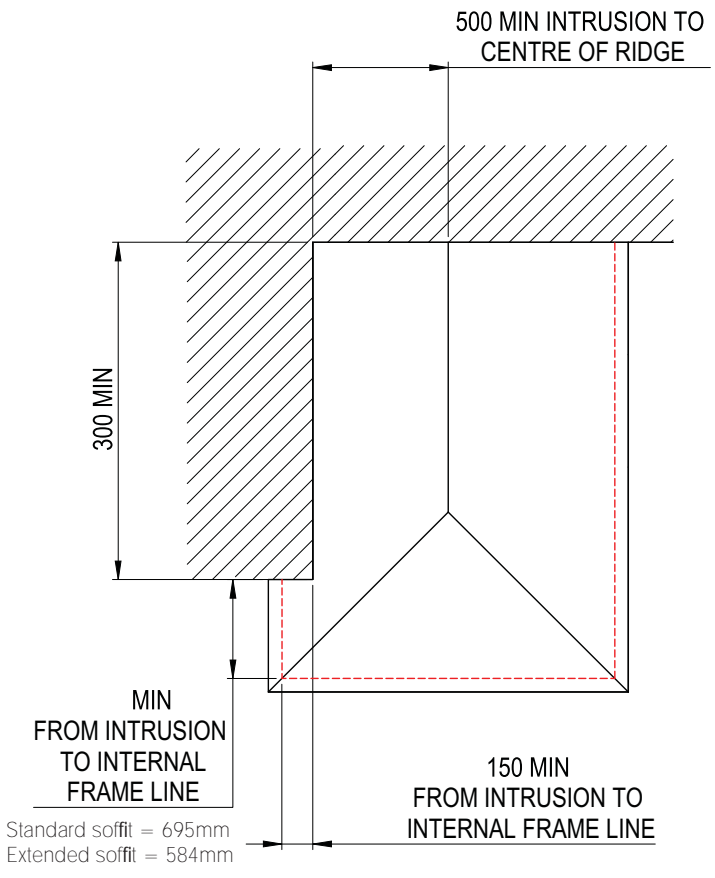
Georgian large intrusion

KEY

	HOST WALL		BEAMS		TAPERED BOXGUTTER		BOXGUTTER
---	-----------	---	-------	---	-------------------	---	-----------

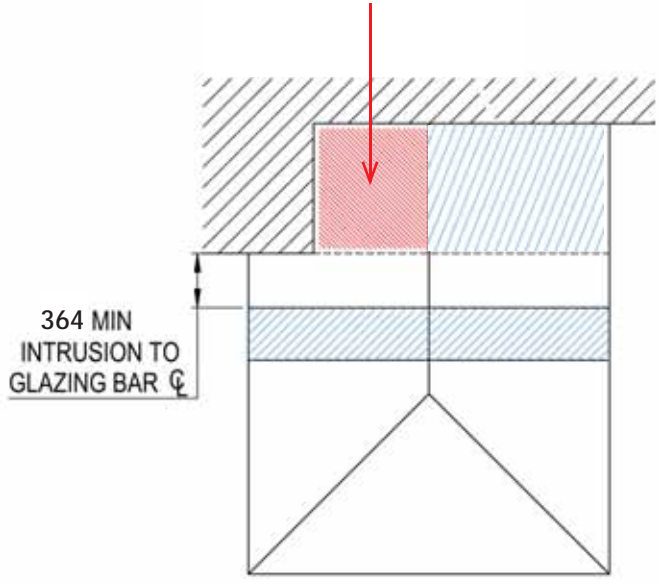
DETAILED INTRUSION RULES

INTERNAL FRAME LINE



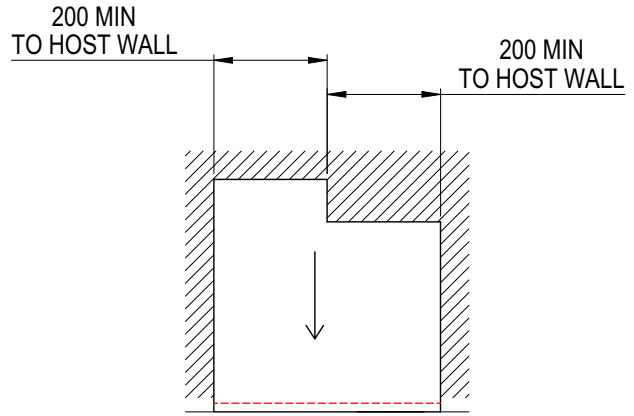
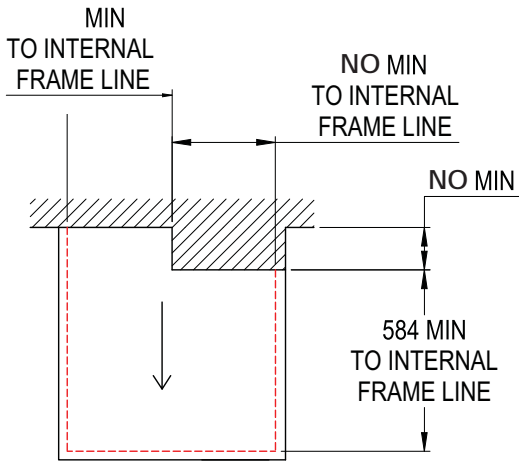
No glazing allowed in roof sections where there is an intrusion

Roof lights are not permitted where there is an intrusion.



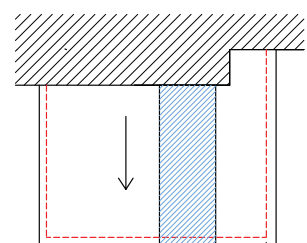
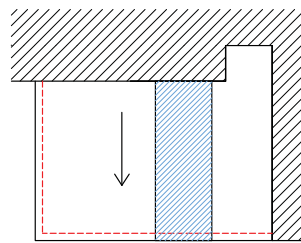
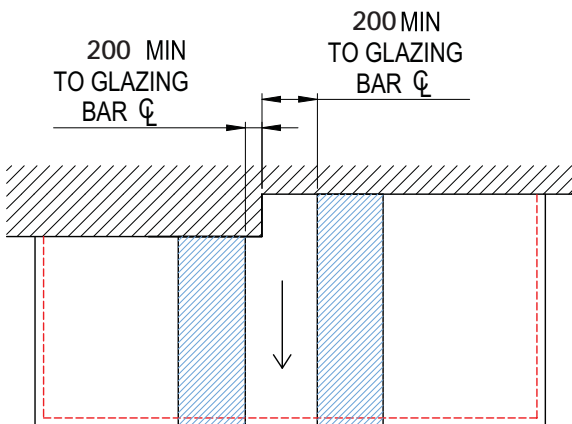
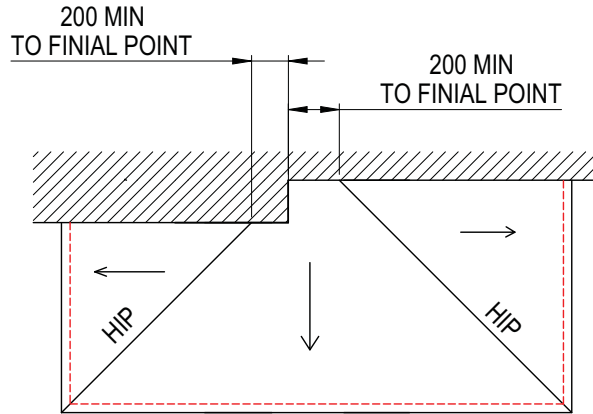
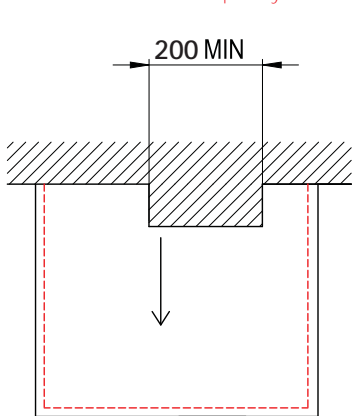
DETAILED INTRUSION RULES

INTERNAL FRAME LINE



Standard soffit = 166mm
 Extended soffit = 90mm
 Super extended soffit = 190mm

NOTE: If below 200mm specify as soil pipe cutout.

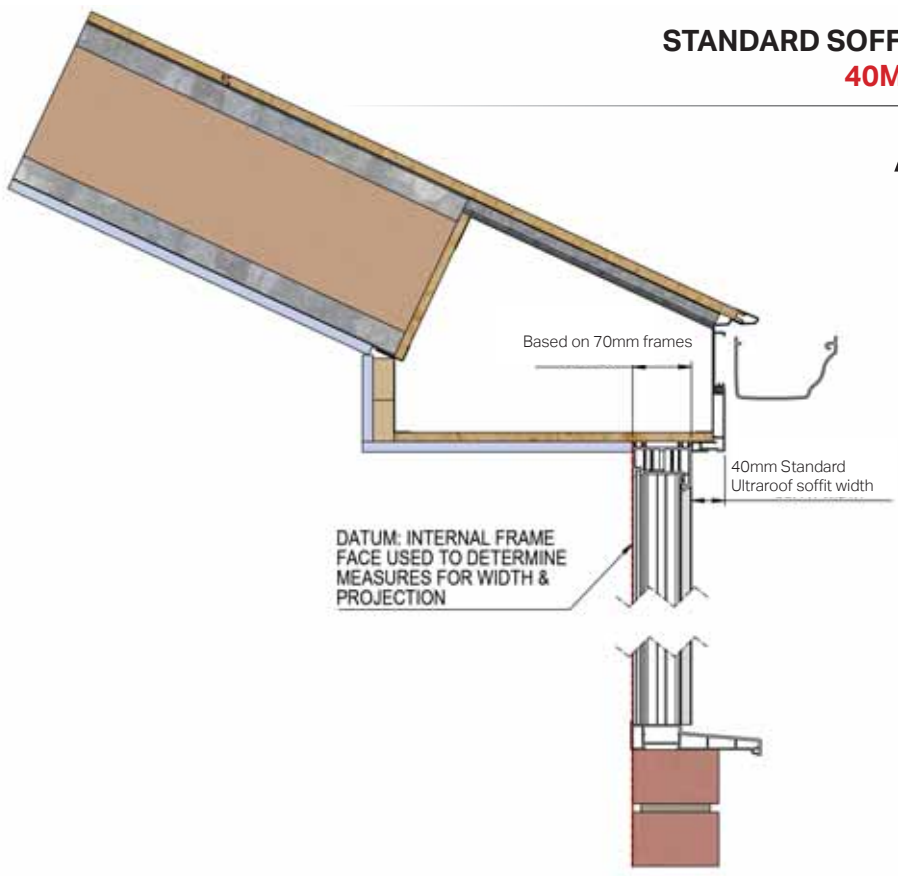


BOX BEAM ON WINDOW FRAME

The following examples show the box beam on new or existing window frames.

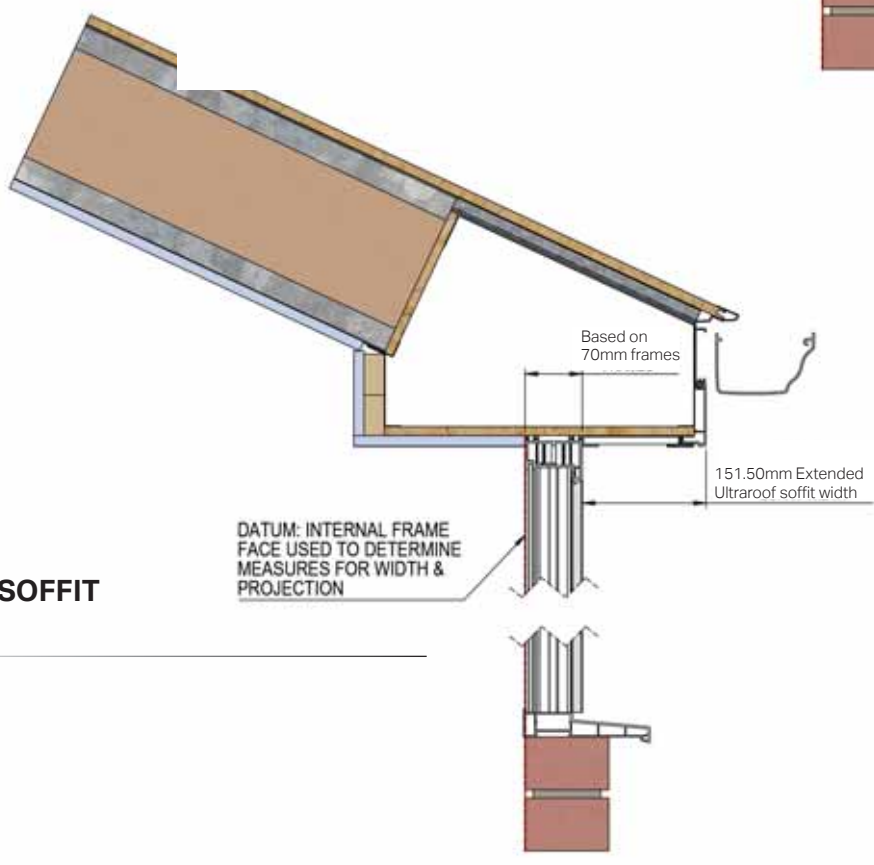
STANDARD SOFFIT 40MM

A



EXTENDED SOFFIT 151.5MM

B



BOX BEAM ON BRICK WORK

Below is shown the details for fixing a box beam to the top of solid brick work with associated soffit widths.

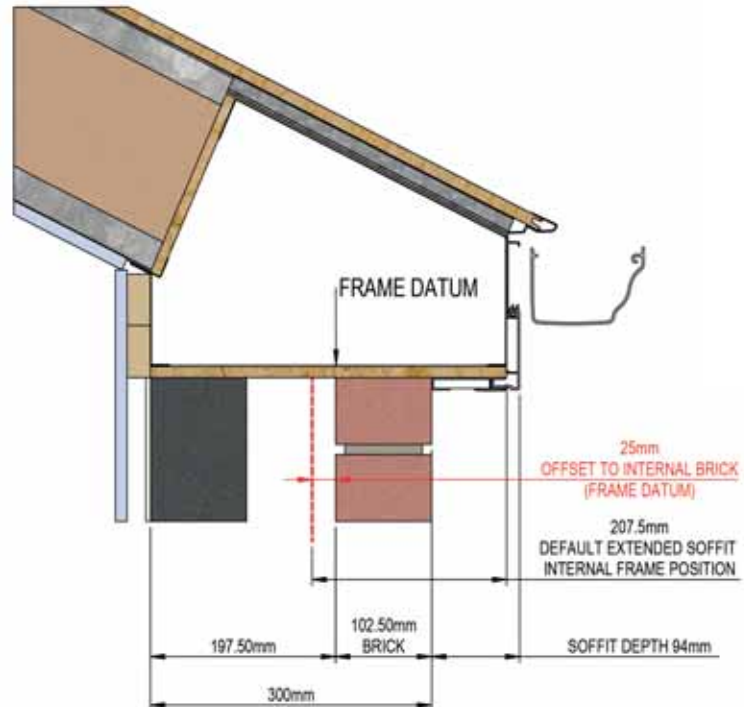
OPTION 1 - STANDARD SOFFIT WITH BRICK

ALIGNING BOX BEAM WITH INTERNAL BLOCK FACE

For internal use only.

FOR THIS BRICKWORK OPTION - SPECIFY ROOF AS 'EXTENDED SOFFIT' AND DECREASE SIZE OF ROOF BY 25mm (PER SIDE)

NOTE: DO NOT ALTER PROJECTION AT GABLE.



OPTION 2 - EXTENDED SOFFIT WITH BRICK

MAINTAINING INTERNAL SOFFIT WIDTH WHEN SAT ON BRICK WALL

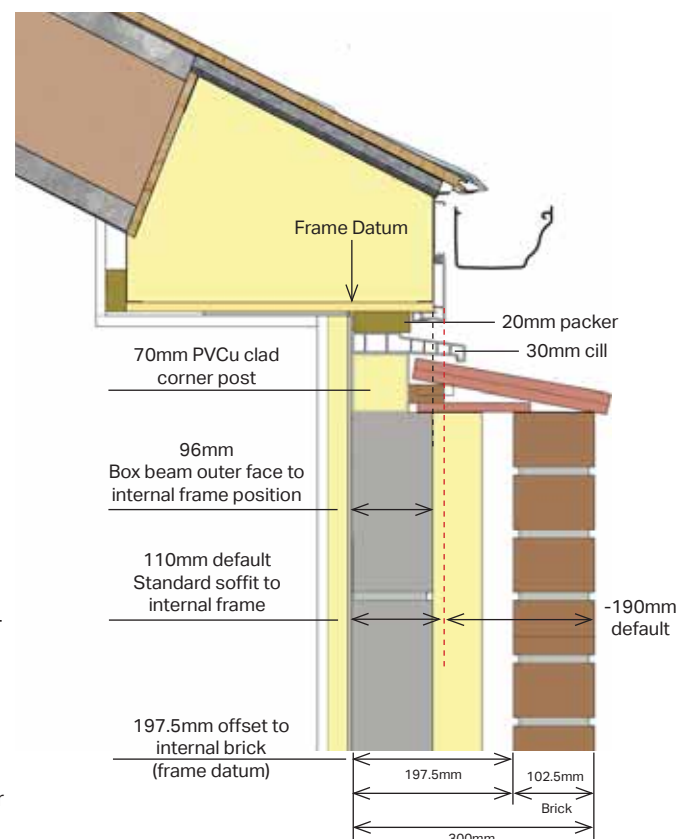
For internal use only.

FOR THIS BRICKWORK OPTION - SPECIFY ROOF AS 'STANDARD SOFFIT' AND DECREASE SIZE OF ROOF BY 197.5mm (PER SIDE)

NOTE: DECREASE GABLE PROJECTION OF ROOF (WHERE APPLICABLE) BY 200mm.

Notes:

- Wall straps fixed to underside of the beam and 1m down face of blockwork at 2m centres.
- Fit 25mm insulated plasterboard PL4015 to wall to prevent thermal bridging.
- 12.5mm plasterboard on adhesive dabs to the remainder of the wall.
- Two rows of creasing tiles with staggered joints bedded in mortar with tile slips as required.
- Continuous DPC run across the cavity closer, up the face of the corner post and taped to the top surface.
- 70mm PVCu corner post cladding filled with insulated.
- Weep holes at base of wall 1.2m centres.



Please Note: All illustrations shown assume a 300mm cavity wall and 70mm window frames. These dimensions may need to be modified to suit your on-site conditions.

BOX BEAM ON BRICK AND WINDOW FRAME

Some situations will have a mix of window frames and brickwork that will support the length of the box beam. Below shows the details for fixing a box beam to the top of window frames with brick work.

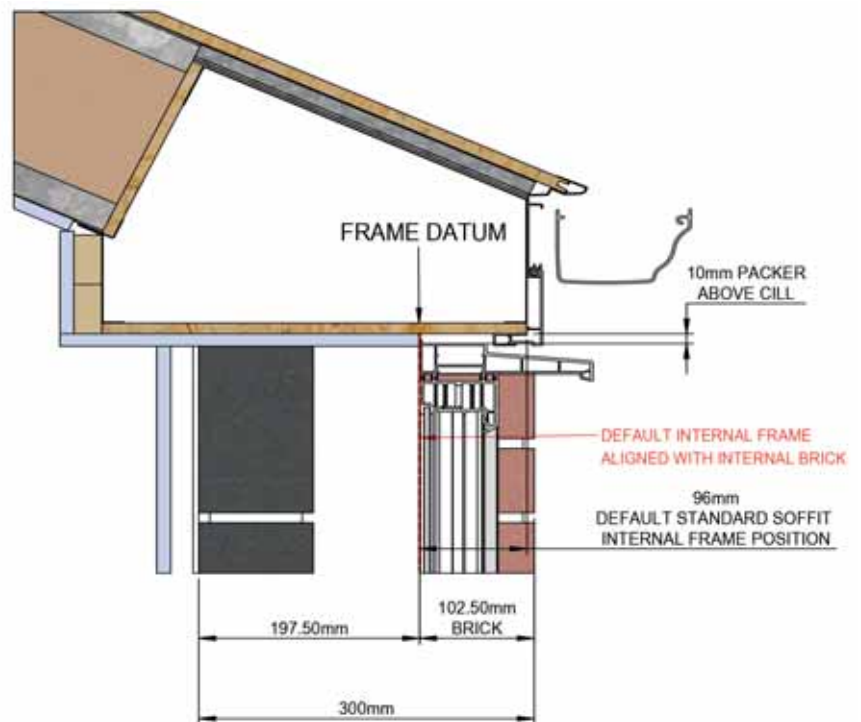
OPTION 3 - BRICK WORK ALIGNING WITH INTERNAL FRAME DATUM ON CILL

IF MAINTAINING THE STANDARD SETOUT WHEN SAT ON A BRICK WALL A CILL MUST BE INCLUDED

For internal use only.

FOR THIS BRICKWORK OPTION - SPECIFY ROOF AS 'STANDARD SOFFIT' - NO NEED TO MODIFY SIZE.

NOTE: DO NOT ALTER PROJECTION AT GABLE.



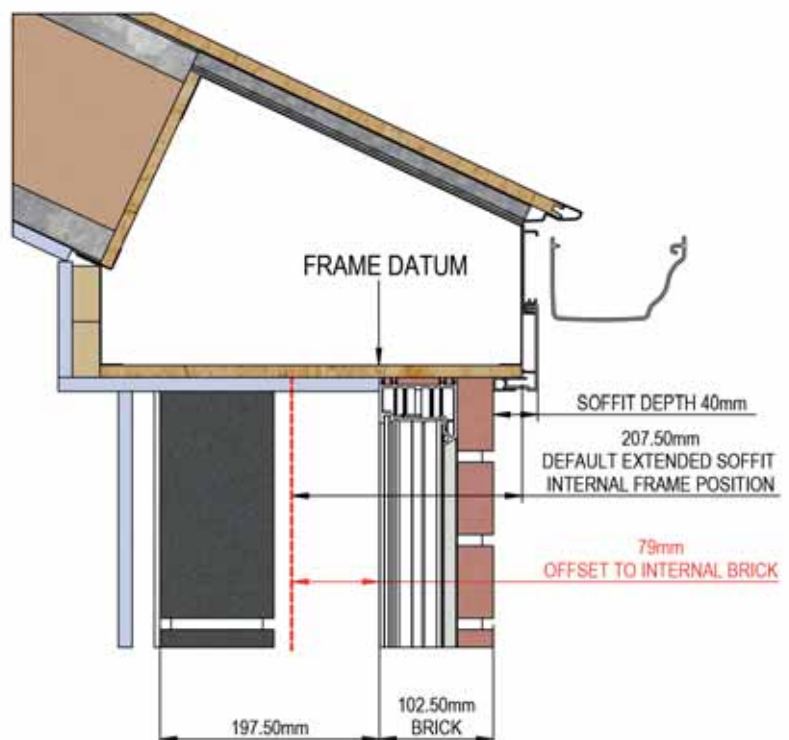
OPTION 4 - BRICK WORK ALIGNING WITH INTERNAL FRAME DATUM

ALIGNING 40mm SOFFIT WITH EXTERNAL BRICK FACE

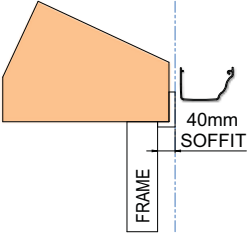
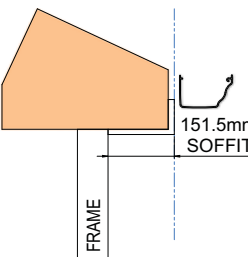
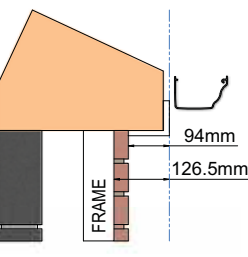
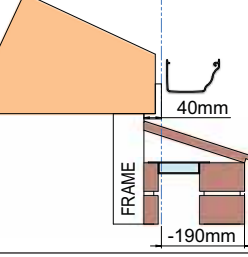
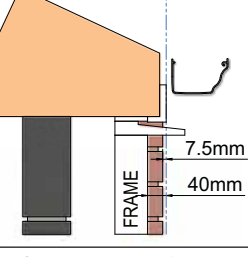
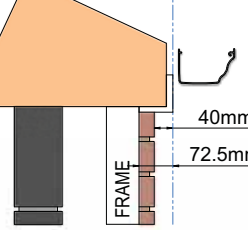
For internal use only.

FOR THIS BRICKWORK OPTION - SPECIFY ROOF AS 'EXTENDED SOFFIT' AND DECREASE SIZE OF ROOF BY 79mm (PER SIDE)

NOTE: DO NOT ALTER PROJECTION AT GABLE.



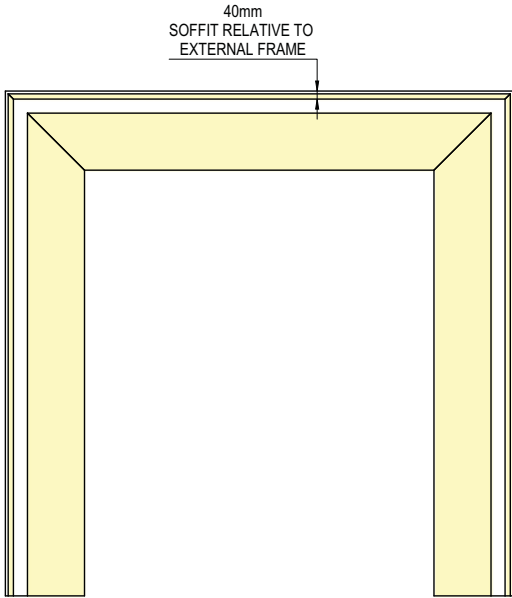
Please Note: All illustrations shown assume a 300mm cavity wall and 70mm window frames. These dimensions may need to be modified to suit your on-site conditions.

	Corner condition LEFT mirrored for right	SOFFIT WIDTHS		U-DESIGN ORDERING TIP	
		Soffit Relative to EXTERNAL BRICK (300mm Cavity wall)	SOFFIT RELATIVE TO EXTERNAL FRAME (70MM FRAMES)	Specify Soffit Type	Dimensional Adjustment PER SIDE (minus)
Standard Soffit on frames		N/A	40mm	STANDARD	N/A
Extended Soffit on frames		N/A	151.5mm	EXTENDED	N/A
Brick Option 1 Aligns roof with inner leaf of 300mm wall		94mm	126.5mm	EXTENDED	-25mm (minus)
Brick Option 2 Only used when roof is on a boundary wall		-190mm	40mm	STANDARD	-197.5mm (minus)
Brick Option 3 Maintains 40mm soffit relative to frame		7.5mm	40mm	STANDARD	0mm
Brick Option 4 Maintains 40mm soffit relative to brick		40mm	72.5mm	EXTENDED	-79mm (minus)

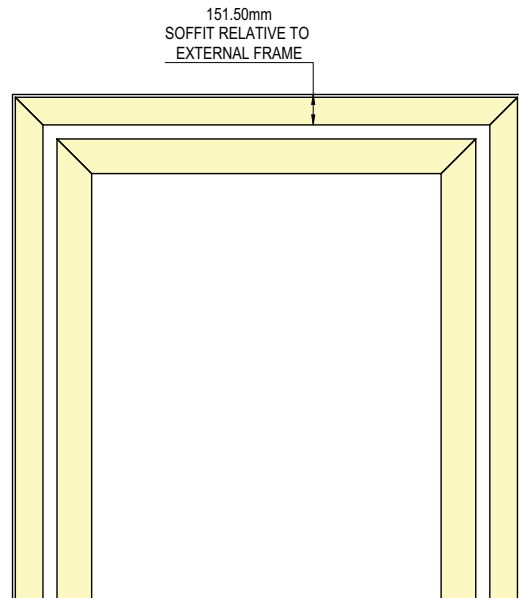
Please Note: All illustrations shown assume a 300mm cavity wall and 70mm window frames. These dimensions may need to be modified to suit your on-site conditions.

SOFFIT RELATIVE TO EXTERNAL FRAME

OPTION 1

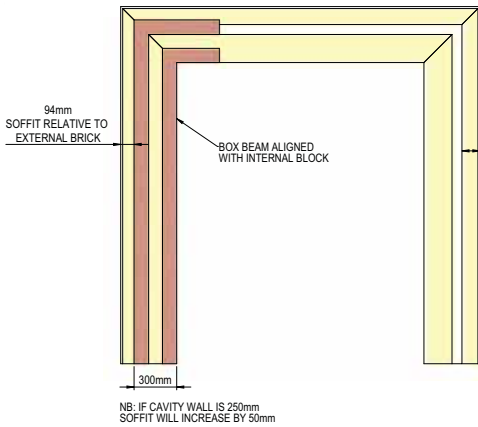


OPTION 2

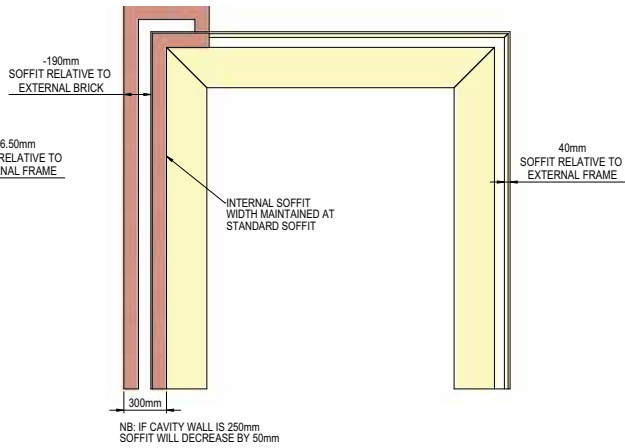


SOFFIT RELATIVE TO EXTERNAL BRICK

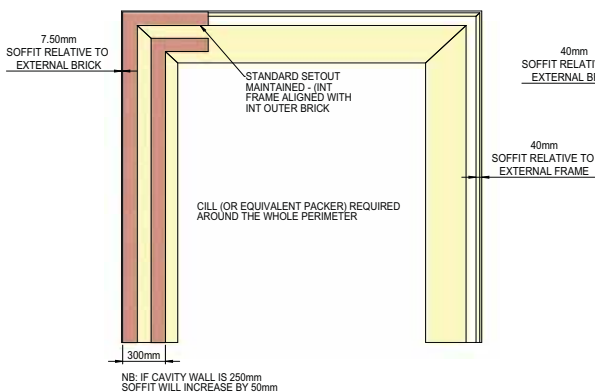
OPTION 1



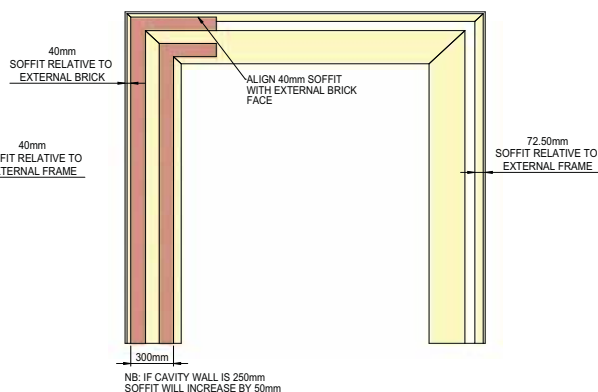
OPTION 2



OPTION 3



OPTION 4

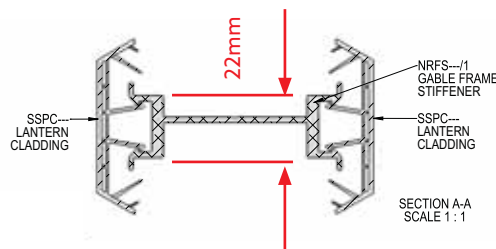


LEAN- TO RAKED/ ANGLED STIFFENER

Frame stiffener (Optional)

Raked frames on lean-to roofs are typically connected to the supporting frames directly below where frames below are:

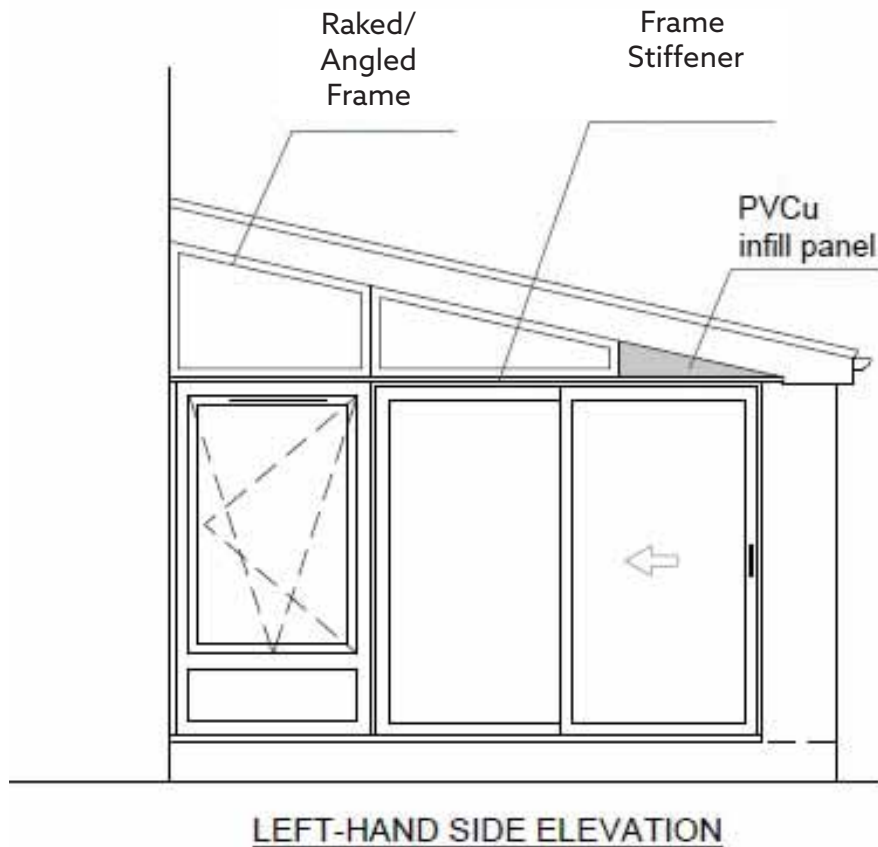
- French doors
- Sliding Patio doors
- Bi-fold doors



It is recommend to use our 22mm deep aluminium frame stiffener.

It is optional so must be asked for


Fastened by strap to the underside of the box beam, secured to the head of the door set and adjacent frames/columns/brickwork. The stiffener will reduce the amount of movement between the upper raked frame and lower support frame.

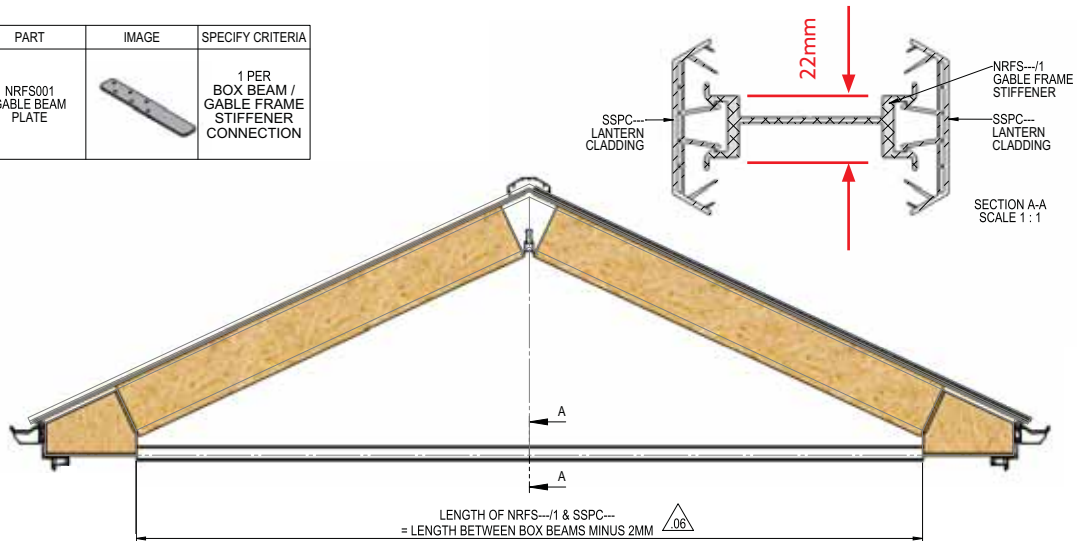


ULTRAROOF GABLE REINFORCING GUIDANCE

FRAME STIFFENER OPTION

Gable frames are typically connected to the supporting frames below using the gable stiffener, shown below, that is provided as standard with Ultrarroof. Frame stiffener claddings can be specified in white, light oak, mahogany or rosewood as standard. **NOTE: Frame stiffener is optional on lean-to raked frame returns and therefore must be asked for if required.**

PART	IMAGE	SPECIFY CRITERIA
NRFS001 GABLE BEAM PLATE		1 PER BOX BEAM / GABLE FRAME STIFFENER CONNECTION



All gable frame sizes are provided as tight sizes. You will need to adjust your gable frame size slightly to give you clearance between the underside of the roof and the gable frame to aid installation .

GABLE REINFORCING BOX SECTION OPTION

Where additional movement is expected at the end of a gable it may be beneficial to request the Gable Reinforcing Box Section. This will prevent flexing of frames particularly when specifying bi-folds or doors to the front of the gable.



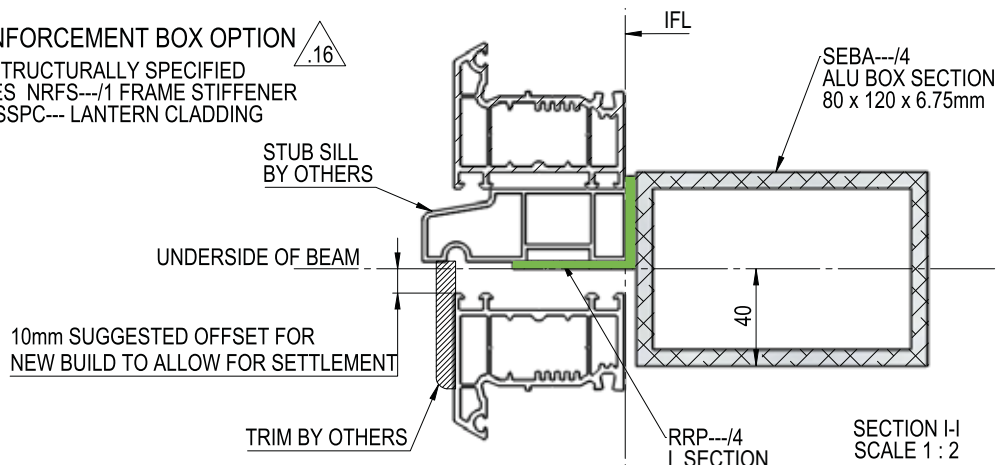
BI-FOLDS IN ULTRAROOF GABLE

Ask for the gable reinforcing box section if required when ordering. You will need to consider:

1. The height of the stub sill that you are going to use (not supplied)
2. The position of the L section, shown in green below. This is particularly important if you are installing open in bi-folds. The standard position is on the centre line of the reinforcing box section but you can specify it in another position if required. Please let Ultraframe know at the point of ordering since this will affect the height of you gable frames.

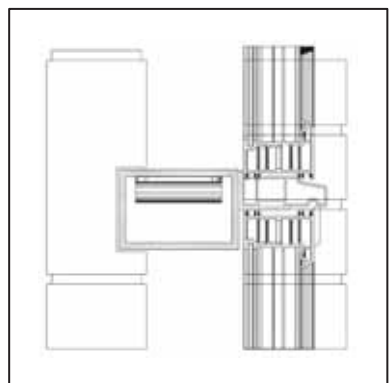
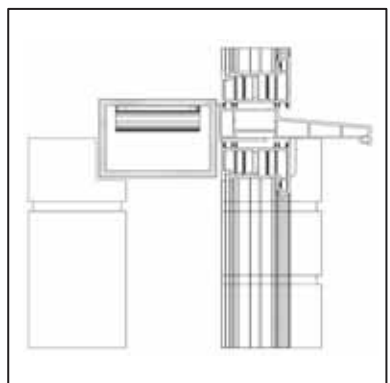
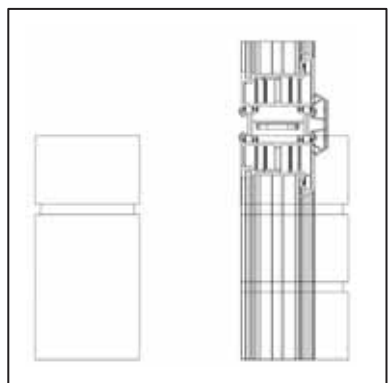
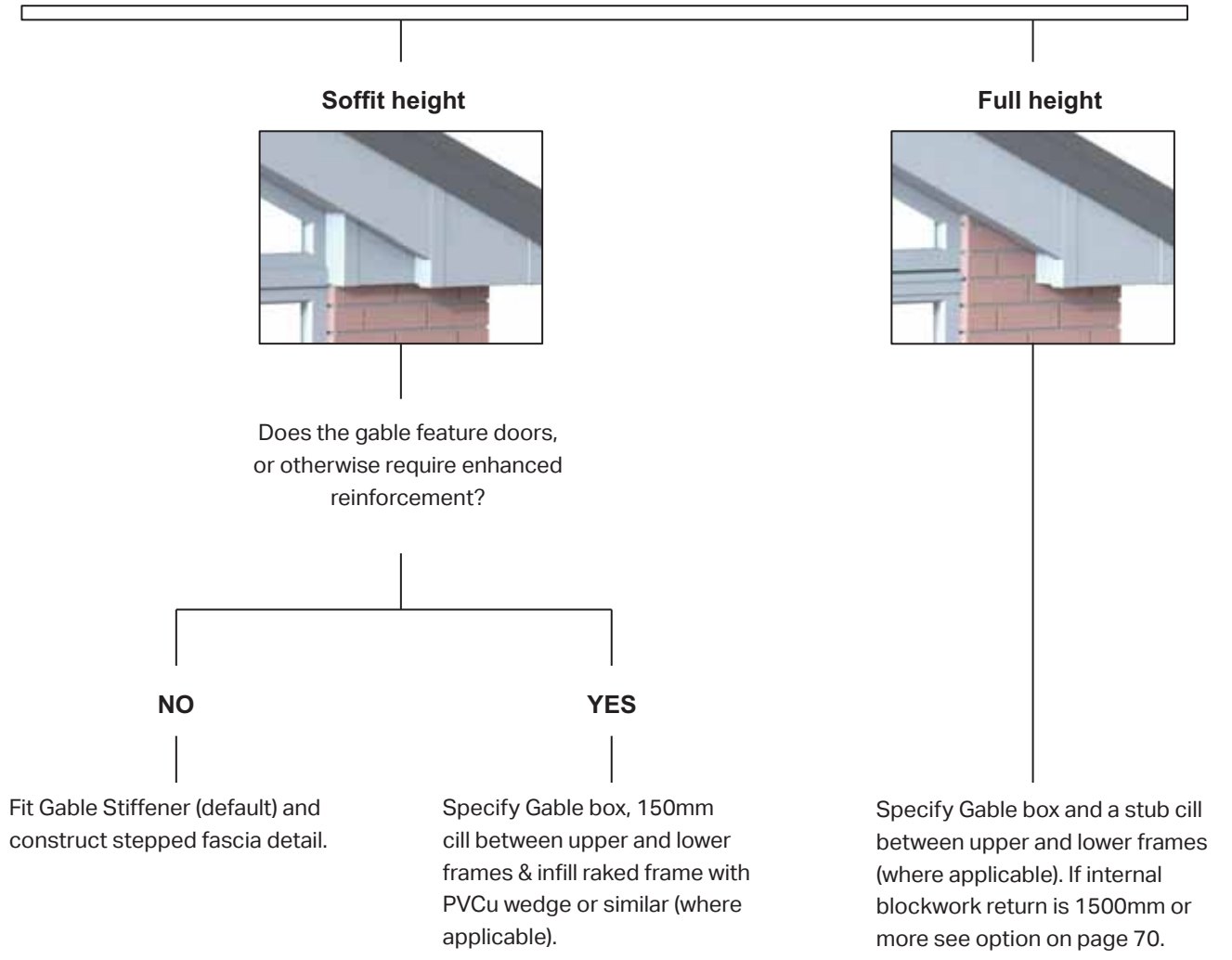
GABLE REINFORCEMENT BOX OPTION

IF STRUCTURALLY SPECIFIED
REPLACES NRFS---/1 FRAME STIFFENER
AND SSPC--- LANTERN CLADDING



GABLE WITH BRICKWORK DESIGN OPTIONS

What height are the brickwork returns?

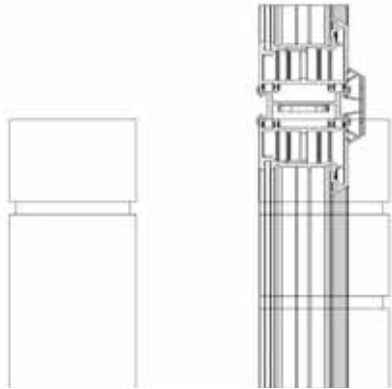


Note: when Gable box is present, notching will be required to internal blockwork to accommodate.

GABLE WITH BRICKWORK DESIGN OPTIONS

FRAME STIFFENER

Default offering when doors are not present and no other requirement for enhanced reinforcement. Also suitable above single door opening. Compatible with options 1, 2 & 4 (see pages 61-62).

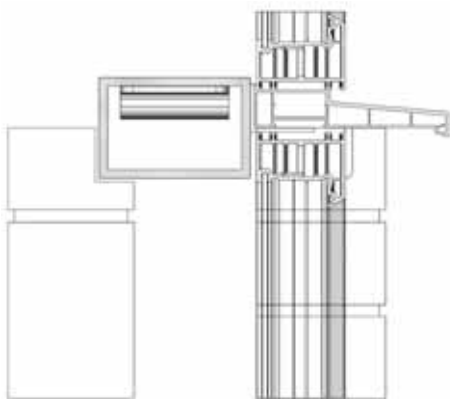


EXAMPLE SHOWS BRICKWORK OPTION 1

REINFORCED BOX WITH MIN. 150MM CILL

Optional detail; required for use with bi-fold doors or other enhanced reinforcement needs.

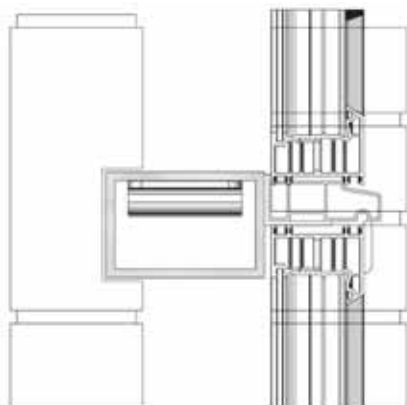
Compatible with all brickwork options. This option to be used in conjunction with super-insulated columns.



EXAMPLE SHOWS BRICKWORK OPTION 2

REINFORCED BOX WITH STUB CILL

Optional detail; required if continuing brickwork up to full height and internal blockwork returns are below 1500mm (see detail). Compatible with all brickwork options (see pages 61-62).



EXAMPLE SHOWS BRICKWORK OPTION 3

GABLE WITH BRICKWORK DESIGN OPTIONS

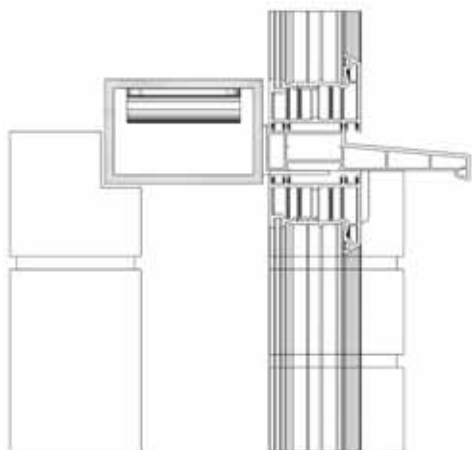
BRICKWORK OPTION 3 SPECIFIC

When specifying brickwork option 3 (page 62); a cill is by default always required beneath the beam. This means that the frame stiffener cannot be used.

Default offering in this case is therefore reinforced box with min. 150mm cill, where the cill height relative to the adjacent reinforced box is lower than with other options. Stub cill option can also be used when continuing brickwork up to full height.



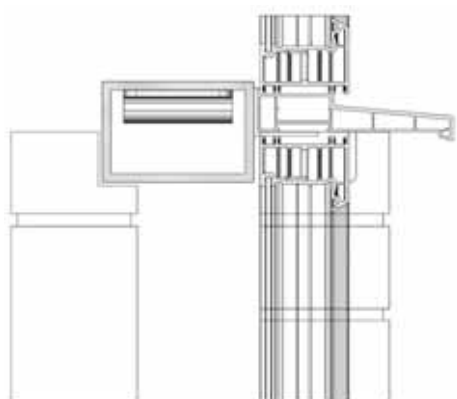
EXAMPLE SHOWS BRICKWORK OPTION 3 WITH 150MM CILL RUNNING THROUGH.



EXAMPLE SHOWS BRICKWORK OPTION 3 WITH 150MM CILL STOPPED SHORT FOR FULL HEIGHT BRICKWORK.

SUPER-INSULATED COLUMNS

When specifying super-insulated columns, reinforced box with min. 150mm option must be used. super-insulated columns compatible with options 1 & 3 only (see pages 61-62).



EXAMPLE SHOWS BRICKWORK OPTION 1

GABLE WITH BRICKWORK DESIGN OPTIONS

SUPER-INSULATED COLUMNS CONTINUED

When specifying an intermediate super-insulated column across the front of the gable a 150mm cill must be used to adequately shroud the top of the column.

Internal finish is at fitters discretion; to be discussed with the customer – no materials supplied for this by Ultraframe.

BRICKWORK STRAP DETAIL

If the internal blockwork return across the front of the gable is greater than or equal to 1500mm on both sides then a brick strap may be used. This should be fixed up through the underside of the box beam then fixed to and sandwiched between the full height blockwork.

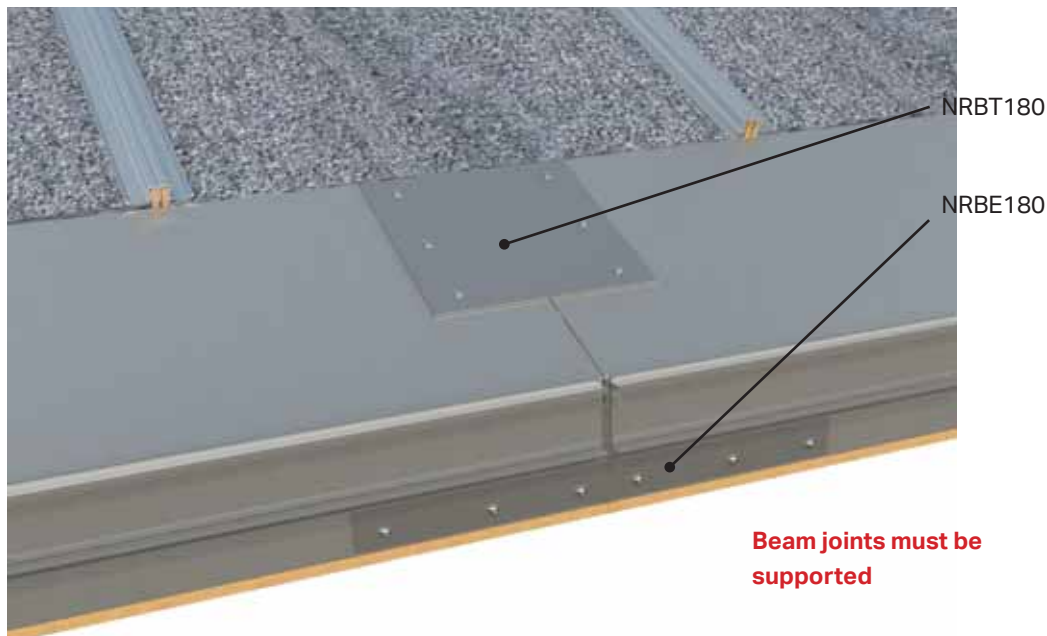


Lean to gable stiffener

JOINING TWO BEAMS

When a roof length extends further than 7000mm, then two beams must be joined. The way the two box beams join is shown below.

Metal cleats are used with their standard fixings to join the box beams together.

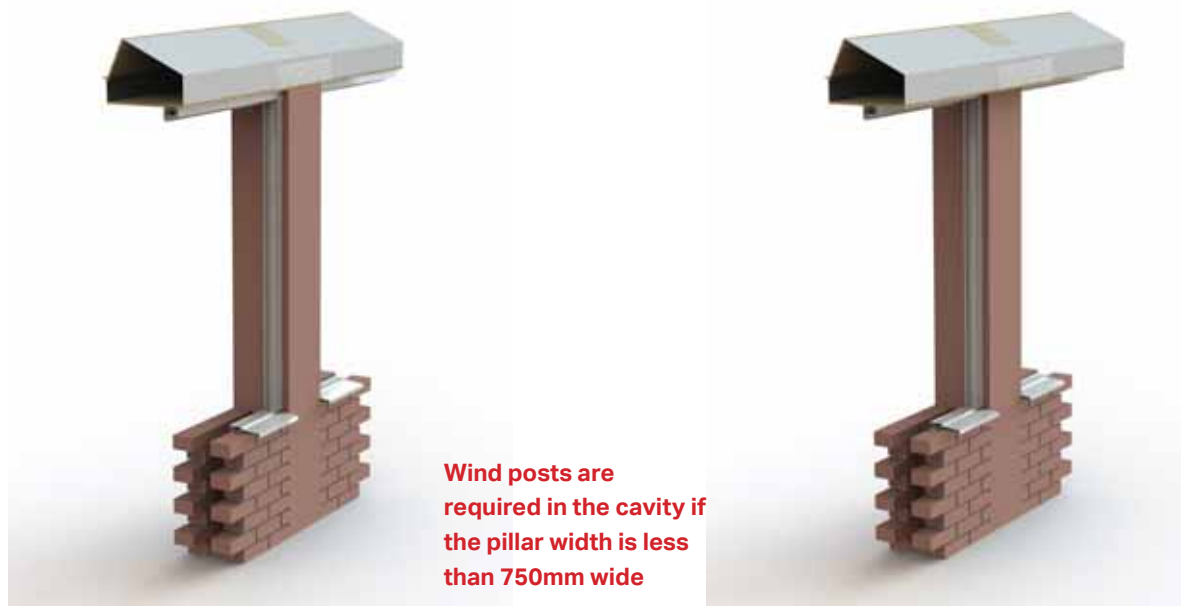


SUPPORTING JOINT ON BRICK

When two beams need to be joined they need to be supported, one option is a brick pillar. The pillar can be built as shown below.

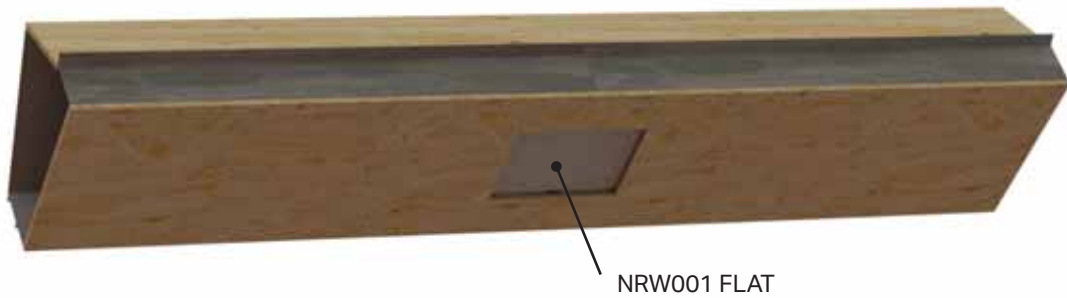
Standard soffit

Extended soffit

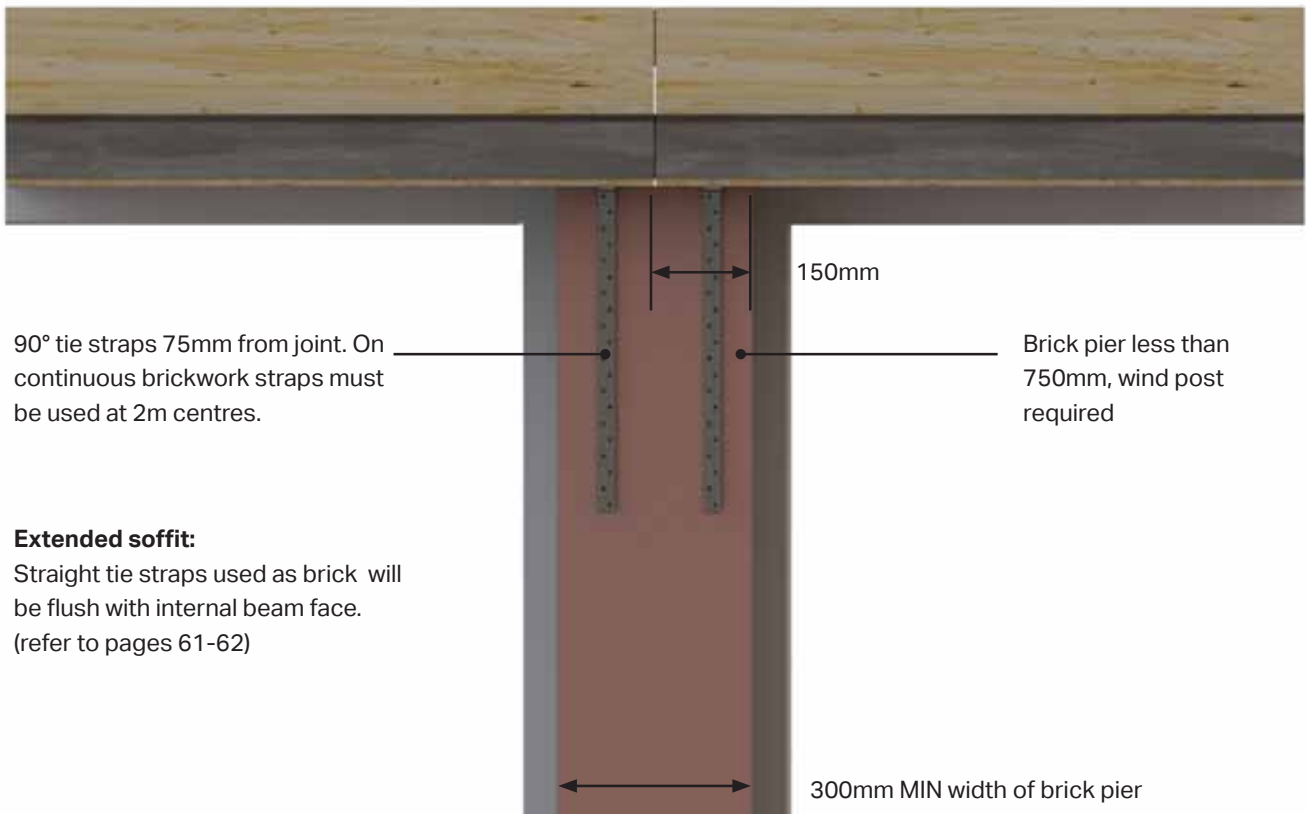


JOINING TWO BEAMS

Before the beam is placed on the brick pillar they must be connected together with a flat abutment bracket that spans the two beams. Use the fixings provided to secure the plate in place as the plate will be inaccessible when the beam is in position over the brick pillar.
NOTE: this is only used when a beam is joined on a brick pillar.



Standard soffit shown



Extended soffit:

Straight tie straps used as brick will be flush with internal beam face. (refer to pages 61-62)

RULES

- The minimum size for the brick pillar is 300mm wide (wind post required).
- The join must be minimum 150mm from the brick external face.
- Brick pillar width less than 750mm in width, a wind post is required.

INTERNAL BRICK BEAM JOINT

When a beam joint occurs along an existing wall, a brick pier can be used to support the beam from below. The pier can be built up to the existing wall or can be left self standing, below shows the situations this occurs.

265mm box gutter situation



Tapered box gutter situation



RULES

- The minimum size for the brick pillar is 240mm x 300mm.
- The joint must be minimum 150mm from the brick external face on the pillar.
- Pillar can be left free standing or built back to the host wall.

SUPPORTING JOINT ON POST

An alternative way of supporting a beam joint is the use of an aluminium support post placed under the beam joint. The post is cut into the existing brick work (if necessary) and fixed to the concrete floor. A plate on top of the beam connects the two beams together. The plate sits in the cut out position of where the abutment bracket would sit.

NOTE: first beams are joined on the post fixing plate then metal cleats are added later.

Standard soffit



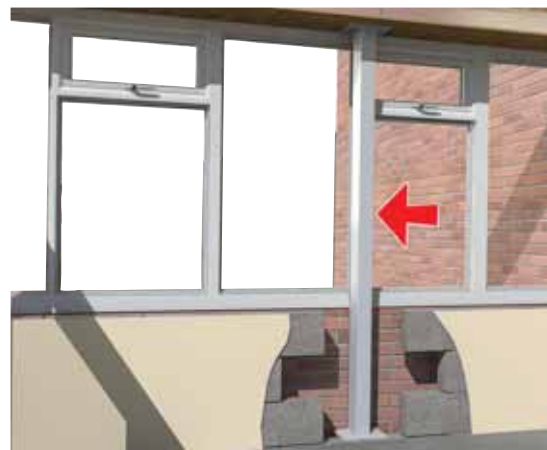
Extended soffit



BOX GUTTER FOAM

(BGI072)

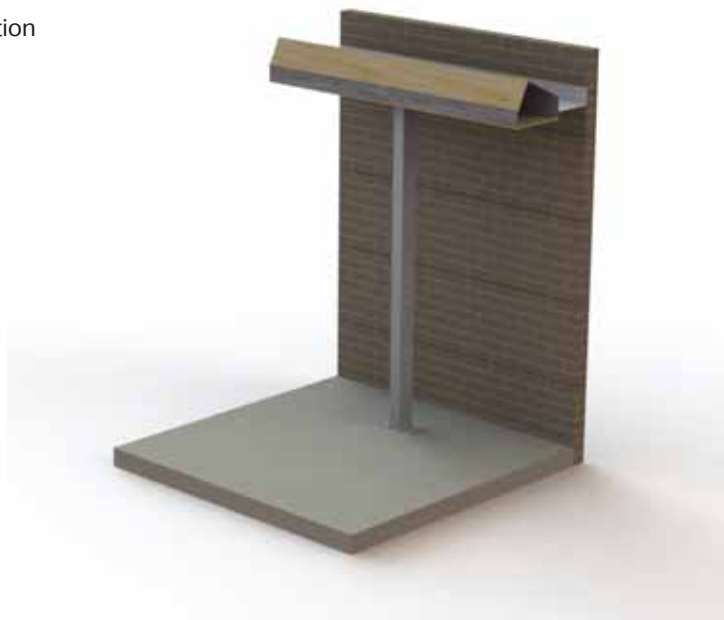
The cavity wall brick must be cut to allow the post to sit 10mm from the external brick, this is packed off with box gutter foam to create a thermal break. A bigger void at the base must be cut into the wall to allow access to the fixings at the base of the post.



INTERNAL JOINT ON POST

When a beam joint occurs along an existing wall, a post can be used to support the beam from below. (Also refer to page 74).

265mm box gutter situation



Tapered box gutter situation



RULES

- Post must sit in abutment bracket cut out position, the bracket cut out is pre cut depending on the type of box gutter required on the beam.

FIXING PLATE

The beams are fixed to the post using the fixing plate with the same footprint as an abutment bracket. The metal cleats are then fixed after the beams are fixed to the post. The post position in relation to the beam will vary depending on the soffit size.



Standard soffit



Extended soffit

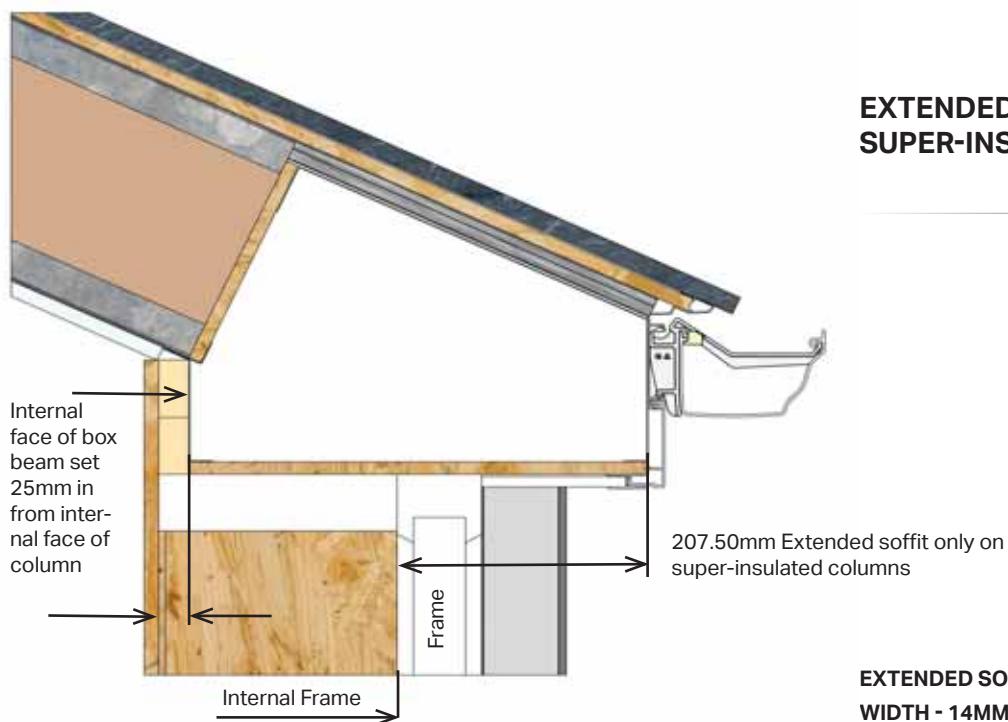


RULES

- Post must sit in abutment bracket cut out position, the bracket cut out is pre cut depending on the type soffit on the beam.

BOX BEAM ON SUPER-INSULATED COLUMN

If your installation contains a super-insulated column, then it is possible to support the box beam on the column providing that the beam is installed with the following details.



EXTENDED SOFFIT ONLY ON SUPER-INSULATED COLUMN

$$\text{EXTENDED SOFFIT} = 151.5\text{MM} + 70\text{MM FRAME WIDTH} - 14\text{MM FASCIA} = 207.5\text{MM}$$



GEORGIAN ROOF ON A VICTORIAN FRAME - TUDOR

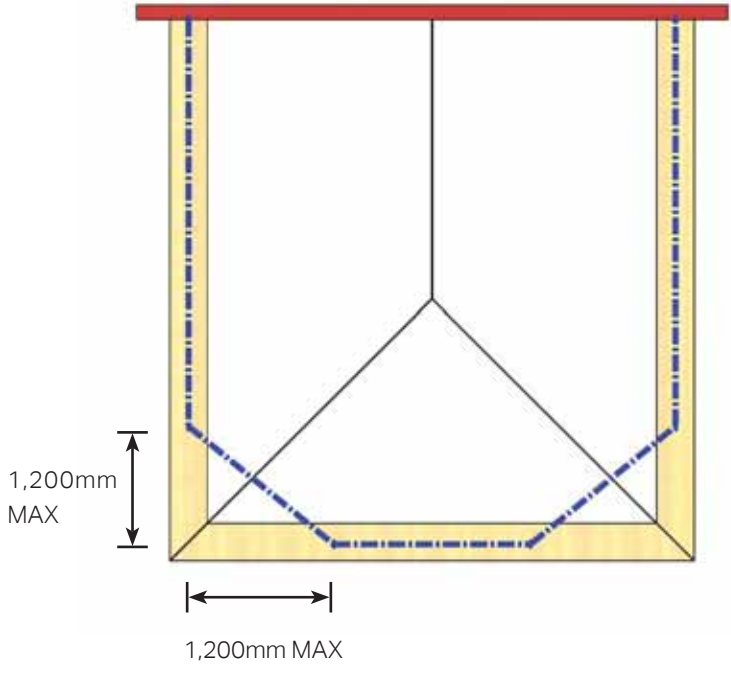


Before



After

It is possible to fit an Ultrarof Georgian shape to the top of an existing Victorian conservatory frame. Maximum cantilever 1,200mm from corner.

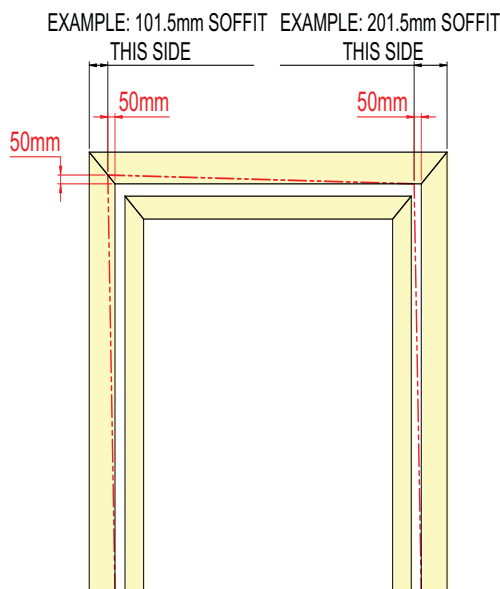


Tudor conservatory frame - - - - -

OUT OF SQUARE - WINDOW FRAMES/MASONRY SUPPORTS

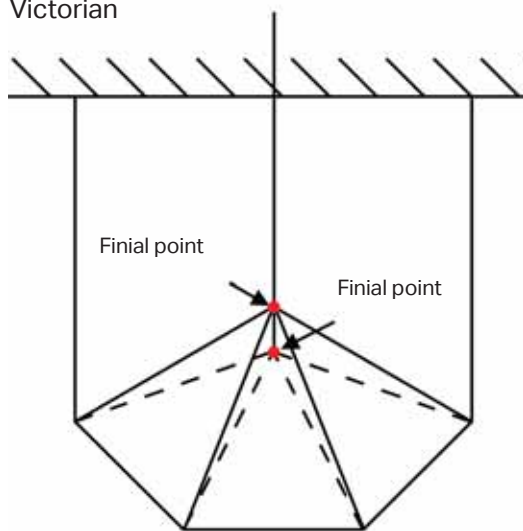
Out of square roofs must be specified with extended soffits only. The external soffit will vary in width. This must be agreed with the customer.

Below shows the example of frames out of square by 50mm (i.e. visual difference in soffit width of 100mm). The internal pelmet width will also vary.

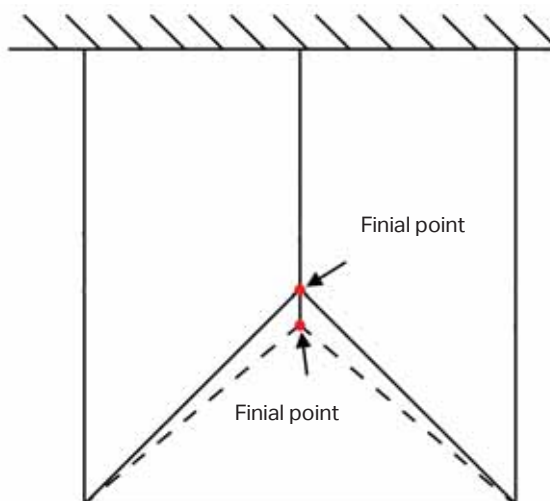


Maximum 15° Pitch Variation

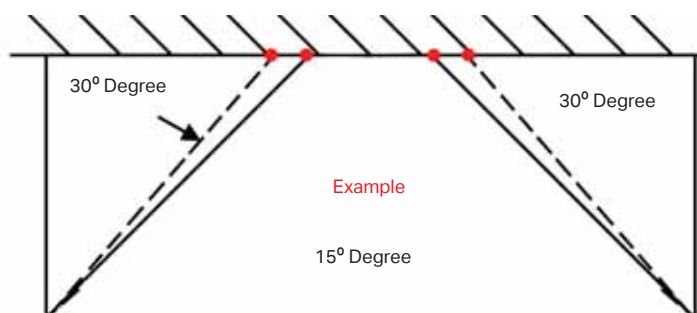
Victorian



Georgian



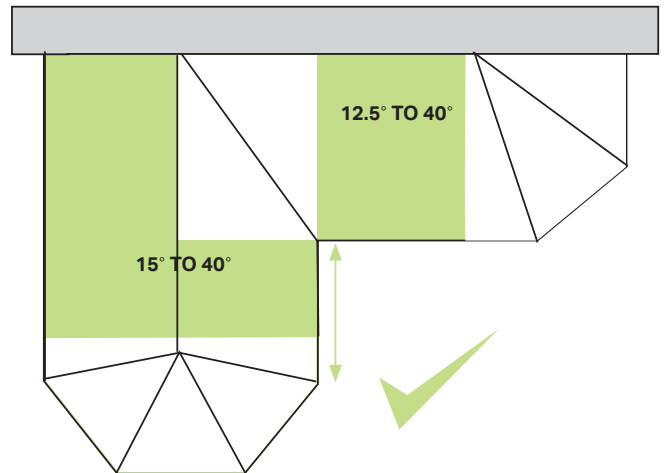
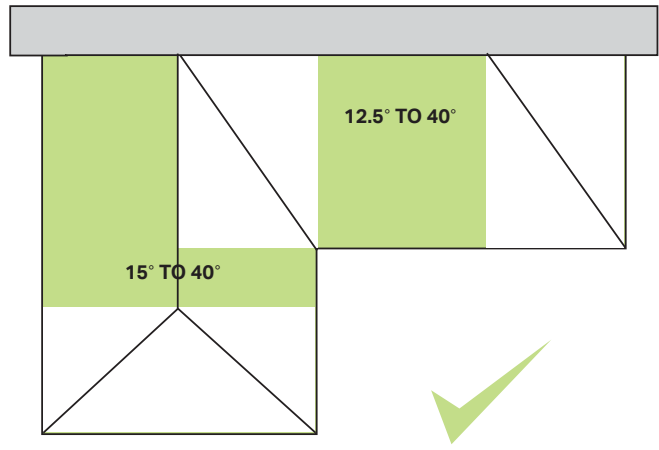
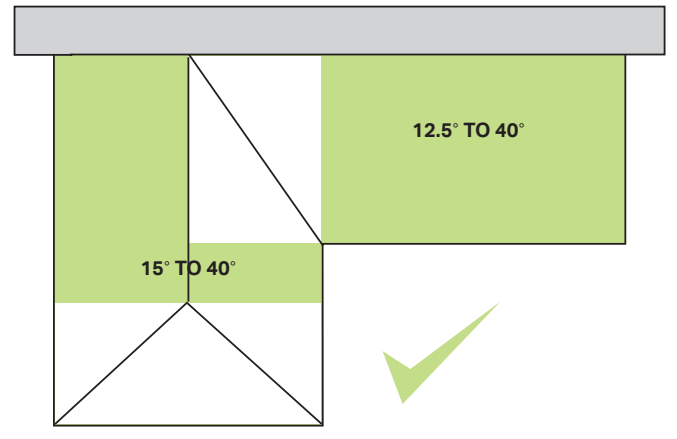
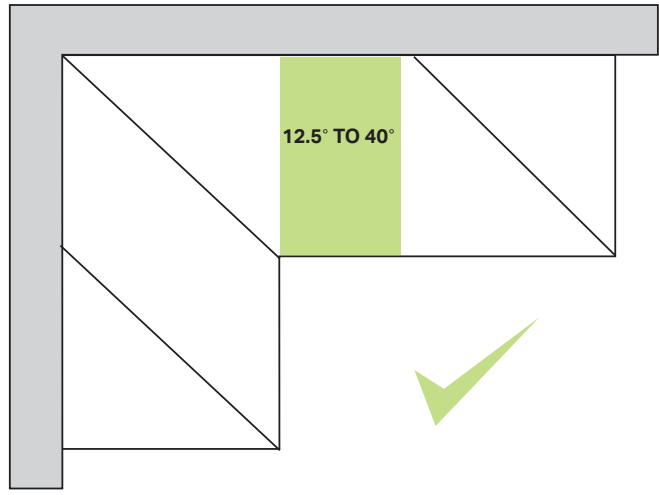
Hipped lean-to



VALLEY SHAPE SCOPE

For roofs incorporating valley gutters the standard pitch rules apply.

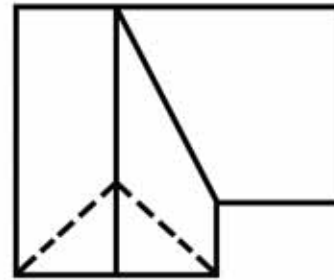
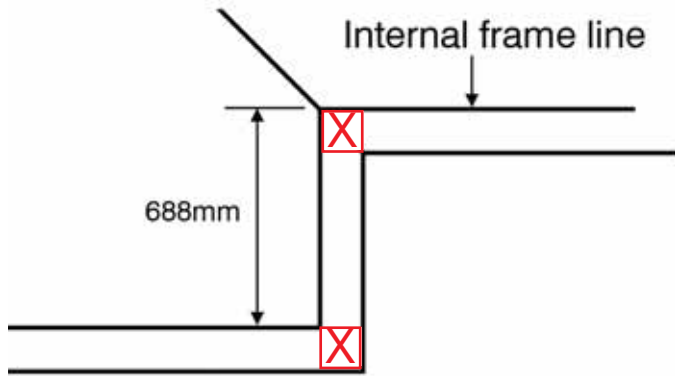
 GLAZING PANELS PERMITTED  GLAZING NOT PERMITTED  WALL



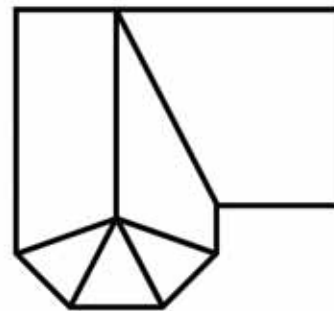
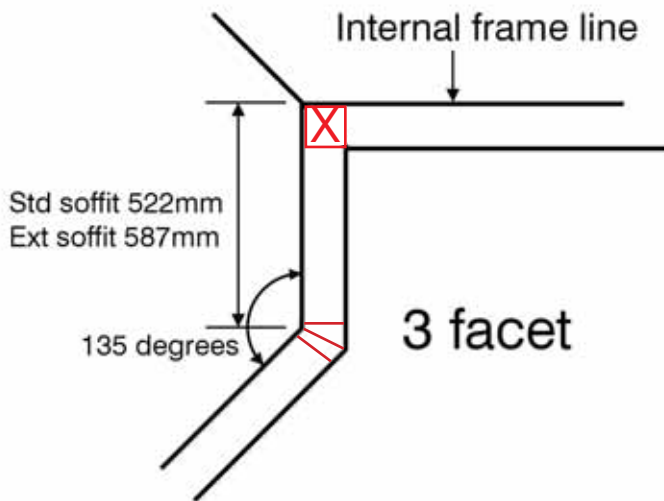
VALLEY SOLID ROOFS

Minimum internal 'point to point' frame sizes.

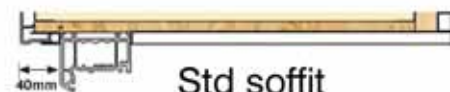
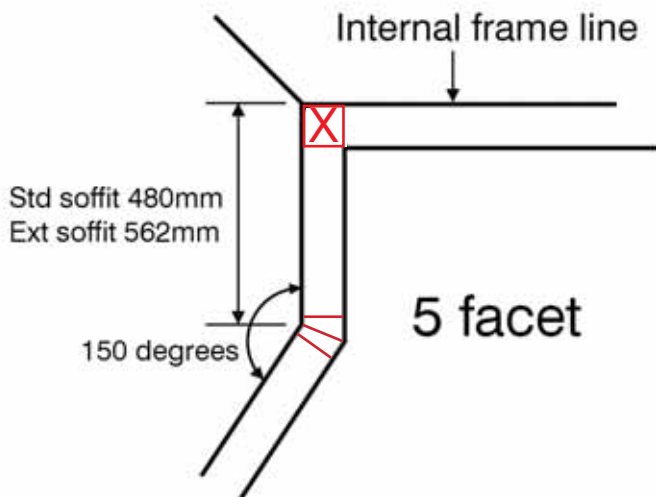
Note: deduct corner post for frame size



Georgian/ Gable



Victorian



Std soffit

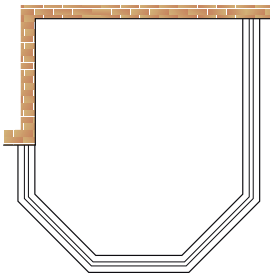


Ext soffit

CONVERTING EXISTING CONSERVATORY WITH BOX GUTTER TO ULTRAROOF

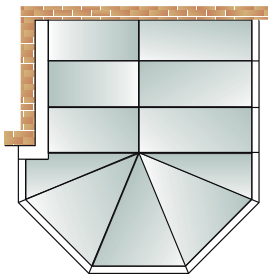
When converting an existing conservatory to an Ultraroom, it is important to accommodate for the previous box gutter positions on the conservatory roof when designing the Ultraroom replacement. When the old conservatory box gutter is removed, (either a 165mm or a 265mm), the beam sits on the existing window frames lining up with the internal frame line datum points. This results in a special finishing detail for each case being used, as shown below.

Existing conservatory with inner dwarf wall built in-line with host wall using raised back box gutter.



Base plan

Raised back box gutter

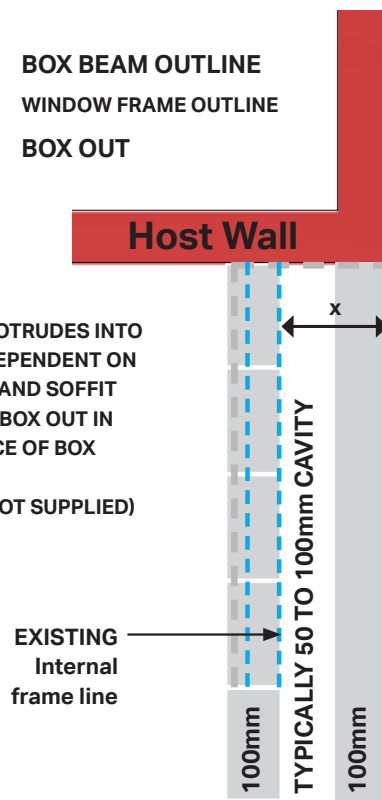


Roof plan

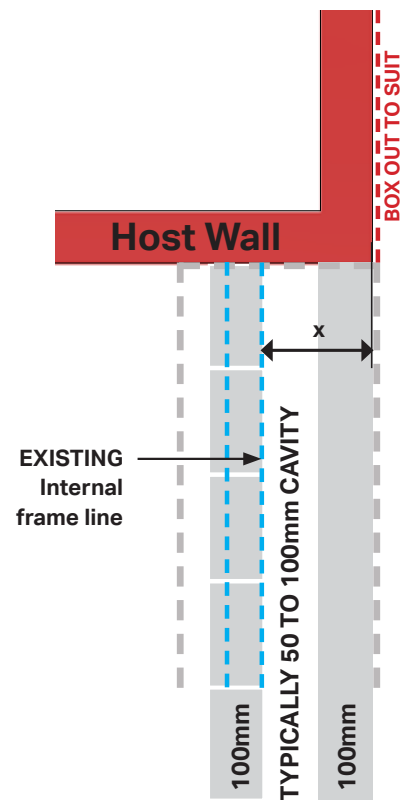
STANDARD SOFFIT

- BOX BEAM OUTLINE
- - - WINDOW FRAME OUTLINE
- - - BOX OUT

NOTE:
BOX BEAM PROTRUDES INTO ROOM, SIZE DEPENDENT ON DIMENSION X AND SOFFIT PROJECTION. BOX OUT IN LINE WITH FACE OF BOX BEAM (MATERIALS NOT SUPPLIED)



EXTENDED SOFFIT



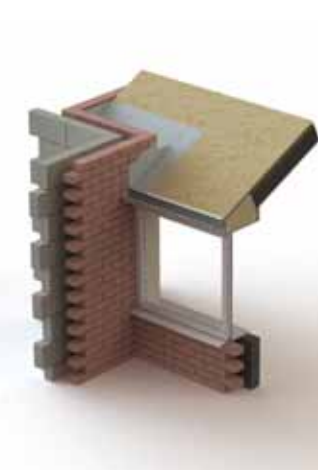
STANDARD SOFFIT BOXING OUT
BOX OUT TO SUIT
(MATERIALS NOT SUPPLIED)



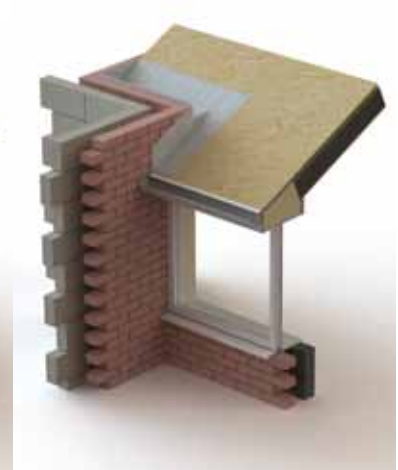
EXTENDED SOFFIT BOXING OUT
BOX OUT TO SUIT
(MATERIALS NOT SUPPLIED)



STANDARD SOFFIT

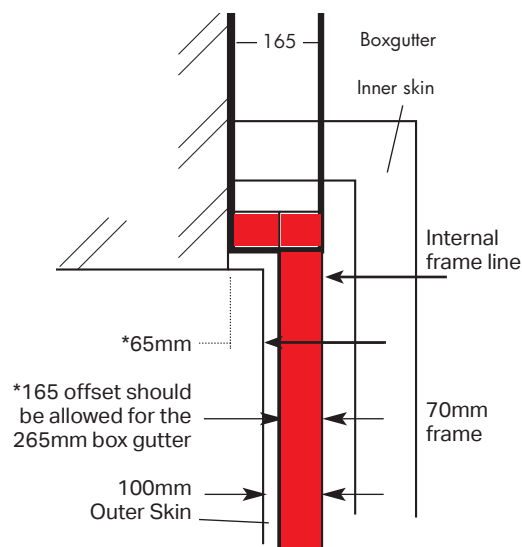
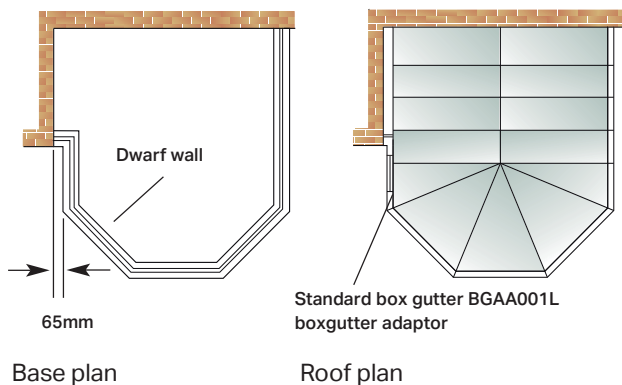


EXTENDED SOFFIT



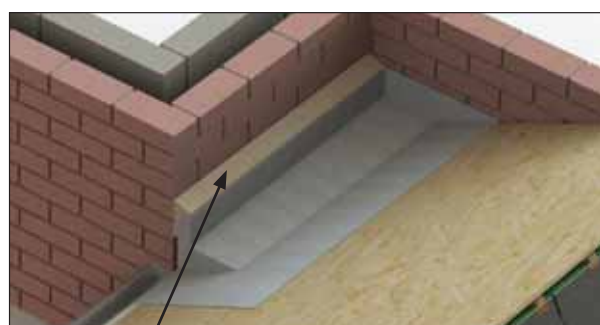
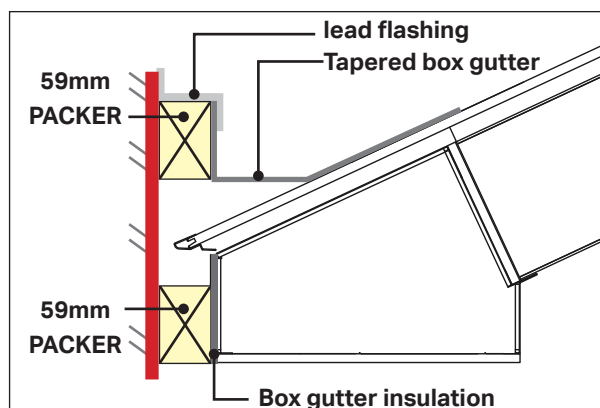
CONVERTING EXISTING CONSERVATORY WITH BOX GUTTER TO ULTRAROOF

Existing in-line 165mm box gutter



165 BOX GUTTER REPLACEMENT

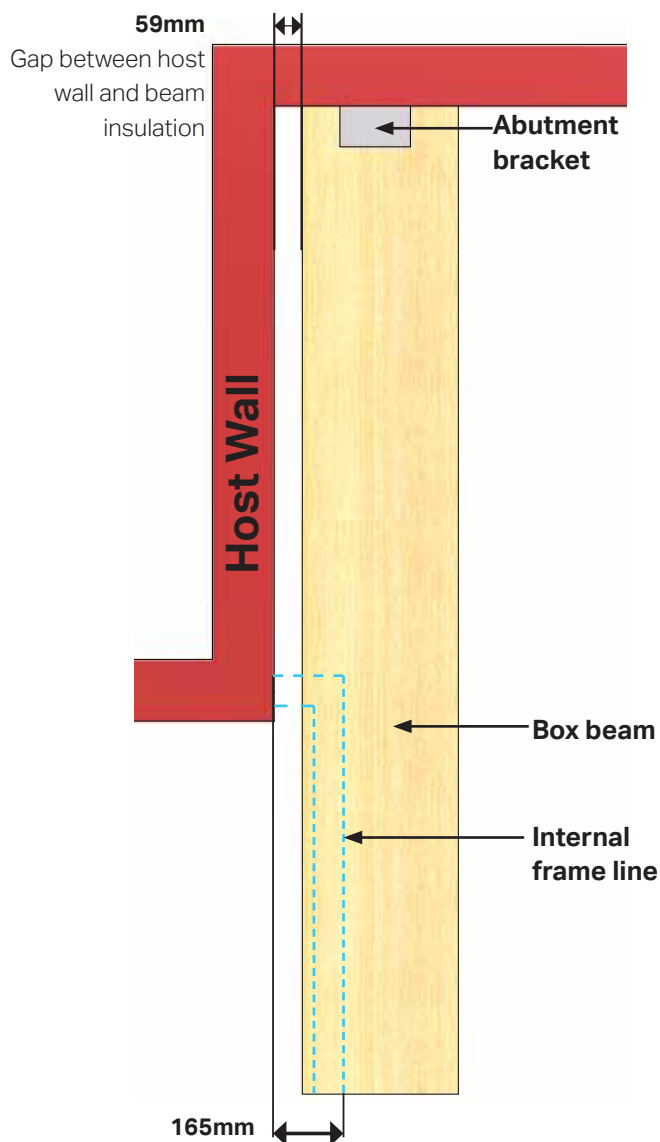
Standard soffit: The internal frame line will be 165mm from the host wall, this will result in a gap of 69mm down the side of the beam. This gap is packed out with timber at 59mm and 10mm of box gutter insulation. The beam is supported on the wall with abutment bracket and to existing conservatory window frames. A tapered box gutter is added packed 59mm off the host wall.



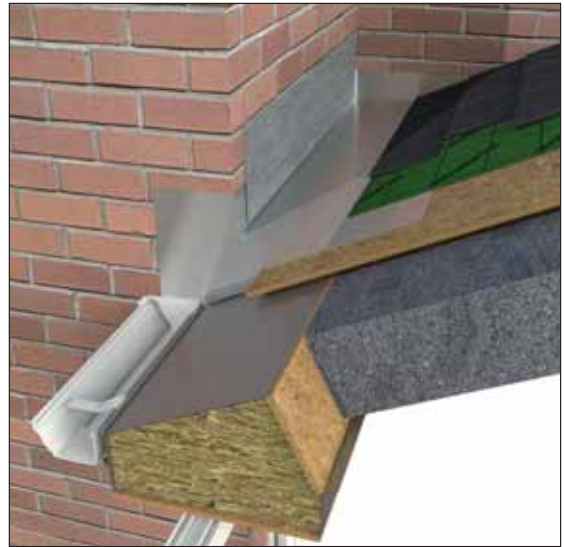
59mm timber packer, lead flash over into tapered box gutter.



Existing frames and infill



Extended soffit: The internal frame line will be 165mm from the host wall, this will result in the beam overshooting the wall by 42.5mm. The beam is stopped at the point of contact with the wall and an intrusion panel is used along the rest of the length. The beam is supported with an abutment bracket fixed to a timber infill while the panel is supported with an angled panel wall bracket (see diagram below). The intrusion must be cut on site to accommodate the timber infill square to the wall.



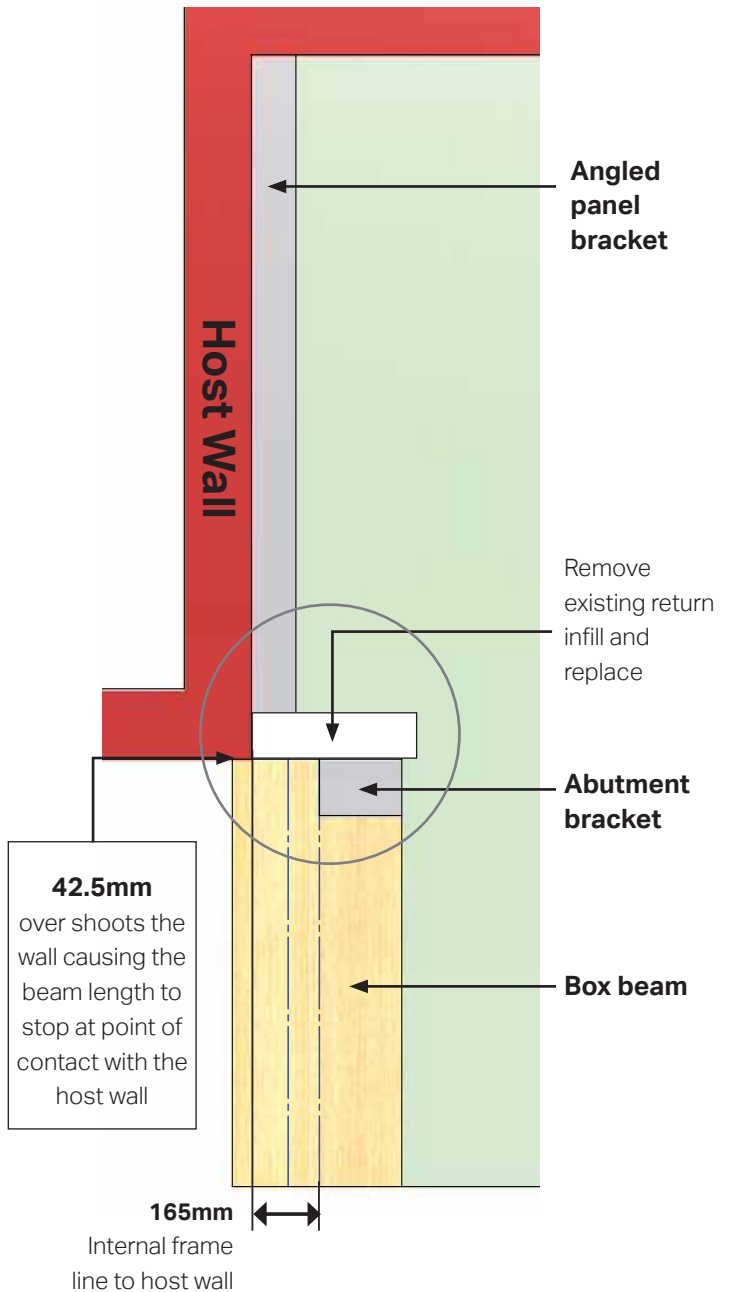
A tapered box gutter is used in this situation, it fits normally and flush with the host wall and roof.

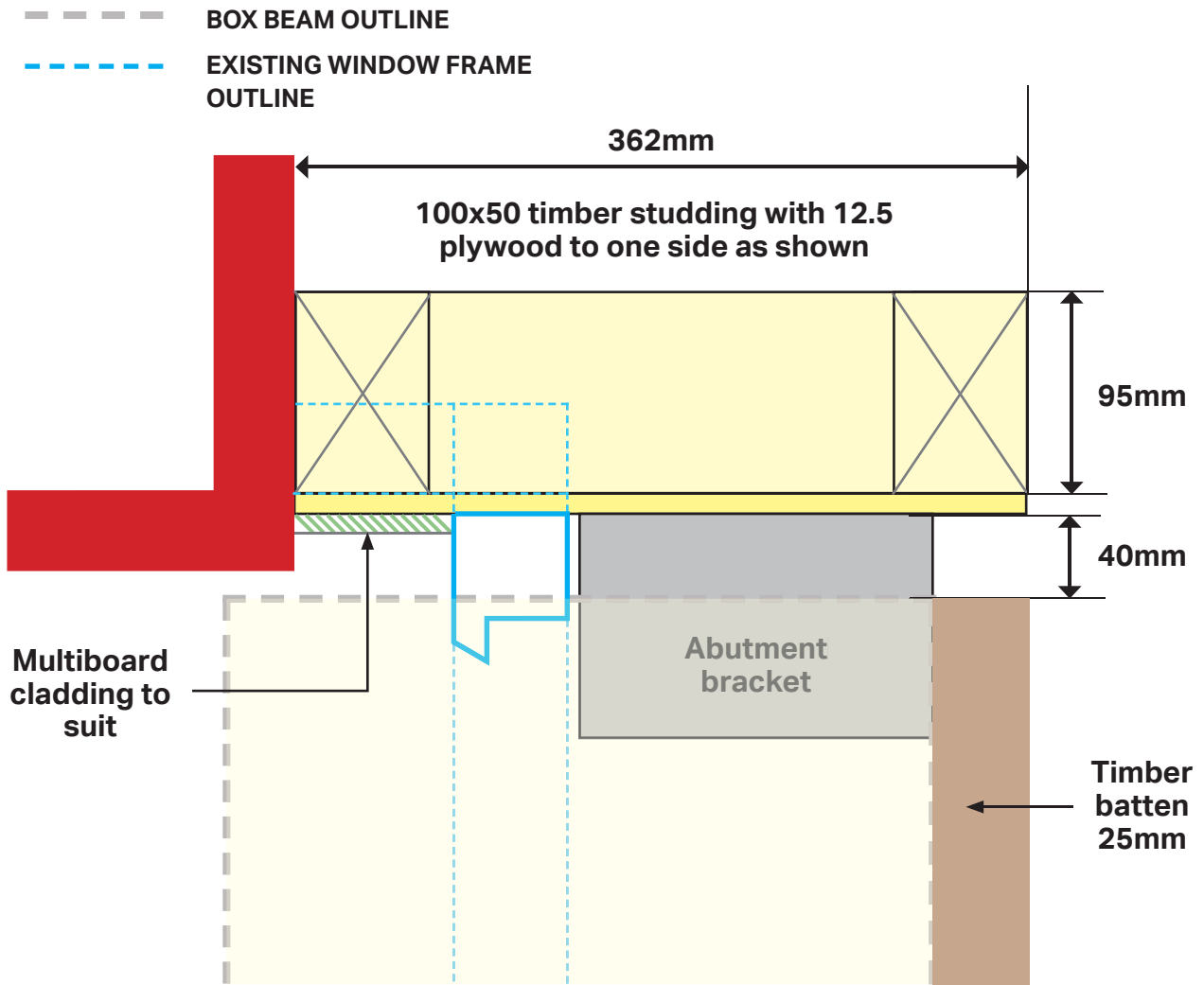


Infill 95 x 362mm In this case infill option is shown as timber. Intrusion panel is cut to accommodate the infill.

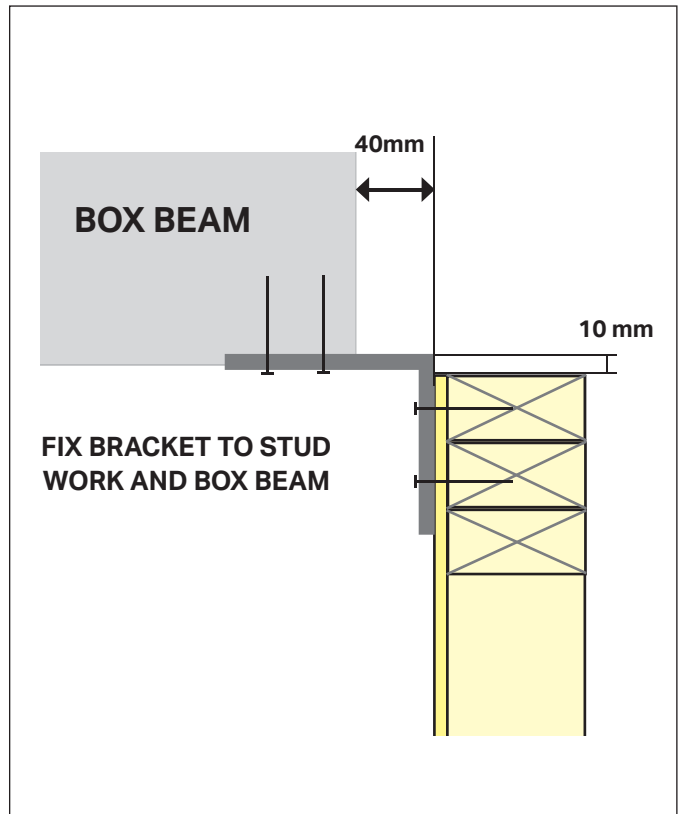
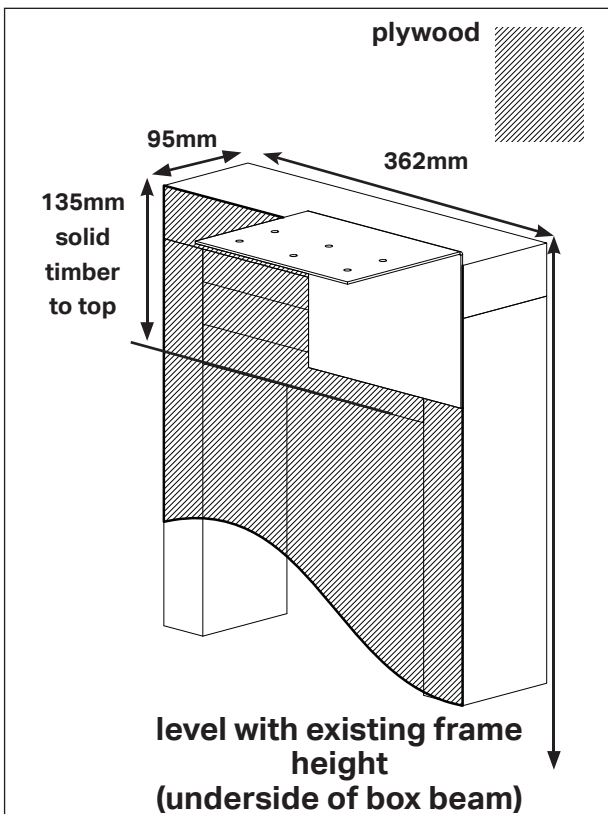


Abutment bracket is fixed to the infill timbers, angled panel bracket fixes to the wall.





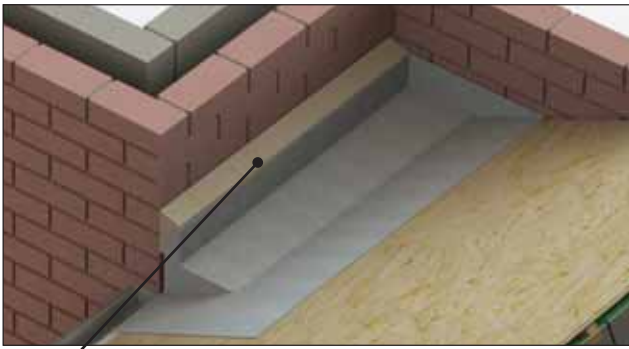
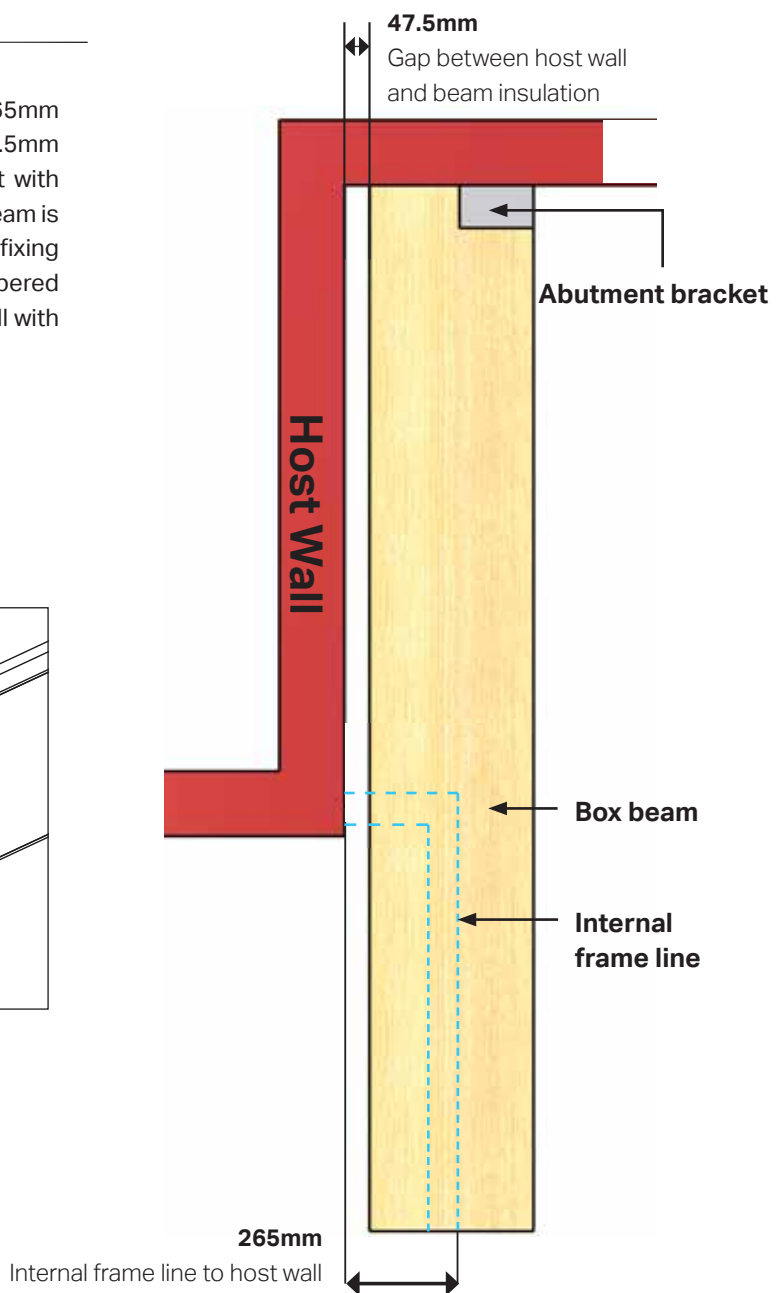
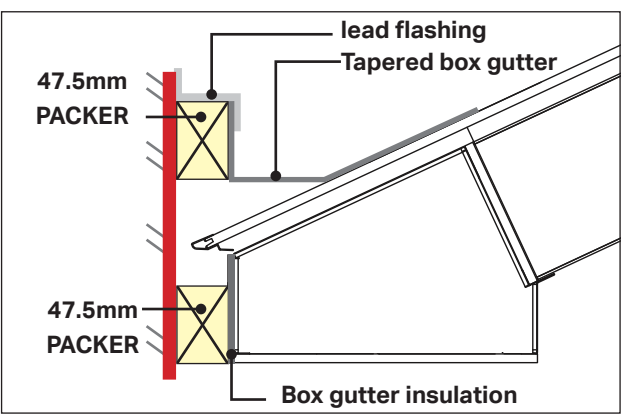
Replace existing frame with 100x50 (MIN) timber studding with 12.5mm plywood to bracket, fixed back to host wall and floor or dwarf wall.



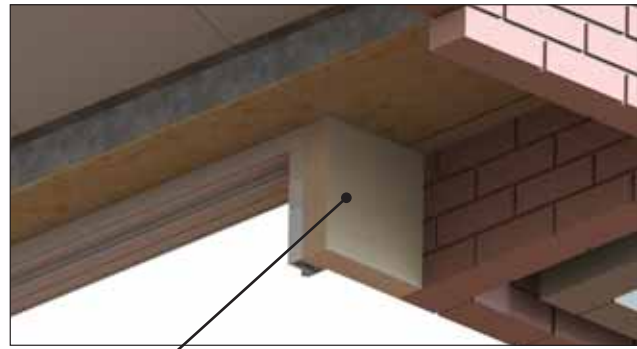
CONVERTING EXISTING CONSERVATORY WITH BOX GUTTER TO ULTRAROOF

265 BOX GUTTERS

Extended soffit: The internal frame line will be 265mm from the host wall, this will result in a gap of 57.5mm down the side of the beam. This gap is packed out with 47.5mm timber and 10mm of box gutter foam. The beam is supported on the wall with abutment bracket, and by fixing to existing conservatory window frames. Finally a tapered box gutter is added, 47.5mm packed off the host wall with timber to line up correctly with the guttering.



47.5mm packed off timber has been used to pack off the box gutter to line up with the standard gutter.



Infill 70 x 265mm In this case infill option is shown as timber.

APPROPRIATE FIXINGS

The correct selection/specification of fixings for Ultrarroof is CRITICAL.

Ultraframe recommends HILTI chemical anchors where specified and expanding anchors in other locations (to resist pull out forces). Using HILTI product codes/descriptions, use a HIT-V 80mm x M8 threaded anchor (stud*) fastened into a 10mm clean drill hole with gun injected mortar or adhesive capsules (with a minimum 80mm embedded) - always rigorously follow the manufacturers guidance www.hilti.com

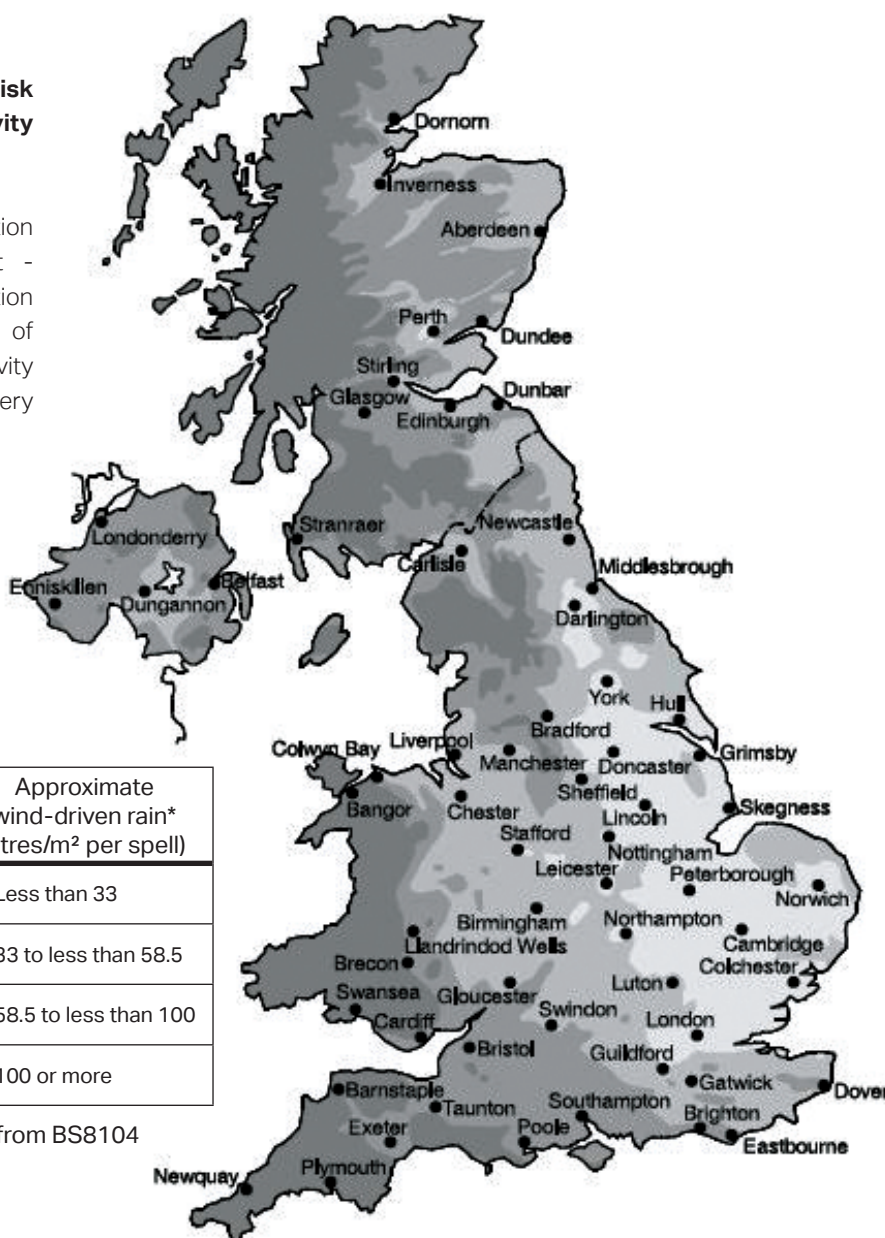
In addition Ultraframe recommends the following alternatives; Fischer M8/M10 masonry injection anchor FIS V Rawl Fixings M8/M10 CFS RM50 or CFS RP30.

* Design load for each stud 2.5kN

CAVITY TRAY ASSESSMENT / VERTICAL DPC REQUIREMENT

It is good practice to undertake a risk assessment to determine IF cavity trays should be retro fitted.

In zones 1 and 2, cavity tray installation is based upon risk assessment - factors include determining if elevation faces prevailing wind, absorbancy of brickwork and mortar joint type. Cavity trays **MUST** be installed in severe/very severe exposure zones (3 and 4).



KEY	EXPOSURE ZONES	Approximate wind-driven rain* (litres/m ² per spell)
	1 Sheltered	Less than 33
	2 Moderate	33 to less than 58.5
	3 Severe	58.5 to less than 100
	4 Very Severe	100 or more

* Maximum wall spell index derived from BS8104

www.ultraframetrade.co.uk

Job No.: 3359 04/19 V4 NRSG001 Ultraroom process
It is Ultraframe's policy to continually seek to improve its products, processes and services, and we reserve the right to change specifications without prior notice. Ultraframe is a trading name of Ultraframe (UK) Limited.



Ultraframe
Transforming light and space